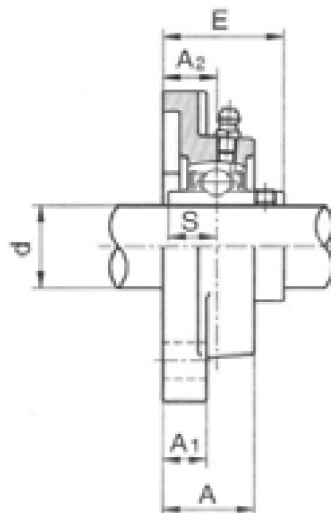
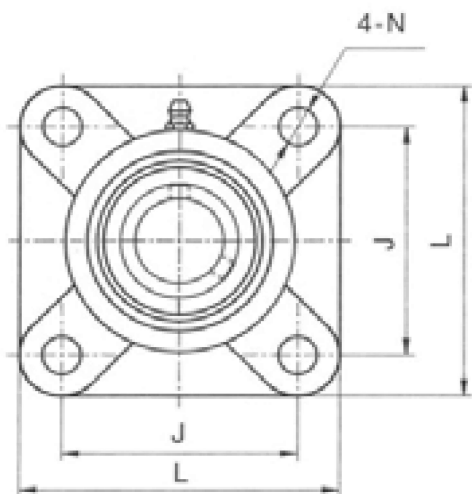


UCF200 Series



UCF2

Part No.	Basic Dimensions (mm)										N.W. (kg)
	d1	L	A	J	N	A1	A2	A0	B	S	
UCF205	25	95	27	70	12	14	16	35.7	34	14.3	0.82
UCF205-16	1	95	27	70	12	14	16	35.7	34	14.3	0.82
UCF206	30	108	31	83	12	14	18	40.2	38.1	15.9	1.13
UCF207	35	117	34	92	14	16	19	44.4	42.9	17.5	1.42
UCF207-20	1.25	117	34	92	14	16	19	44.4	42.9	17.5	1.42
UCF208	40	130	36	102	16	16	21	51.2	49.2	19	1.87
UCF208-24	1.5	130	36	102	16	16	21	51.2	49.2	19	1.87
UCF209	45	137	38	105	16	18	22	52.2	49.2	19	2.15
UCF210	50	143	40	111	16	18	22	54.6	51.6	19	2.45
UCF210-32	2	143	40	111	16	18	22	54.6	51.6	19	2.45
UCF211	55	162	43	130	19	20	25	58.4	55.6	22.2	3.4
UCF212	60	175	48	143	19	20	29	68.7	65.1	25.4	4.17