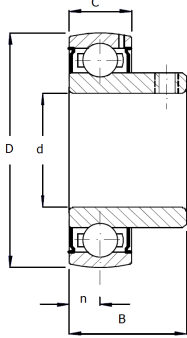
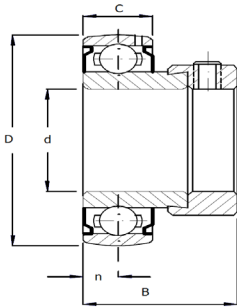


## U000 Series Bearings



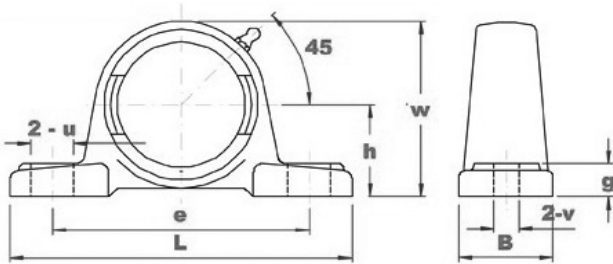
Part No.	d	D	C	B	n	Load	Load	Max	Weight
	mm	mm	mm	mm	mm	D-Kn	S-Kn	rpm	g
U000	10	26	8	15	4	4.58	1.98	19000	21
U001	12	28	8	16	4	5.1	2.38	18000	28
U002	15	32	9	16.5	4.5	5.58	2.85	16000	36
U003	17	35	10	17.5	5	6.11	3.25	14000	48
U004	20	42	12	21	6	9.38	5.02	12000	88
U005	25	47	12	22	6	10.1	5.85	10000	102
U006	30	55	13	24.5	6.5	13.2	8.28	8500	153

## U000ER Series Bearings



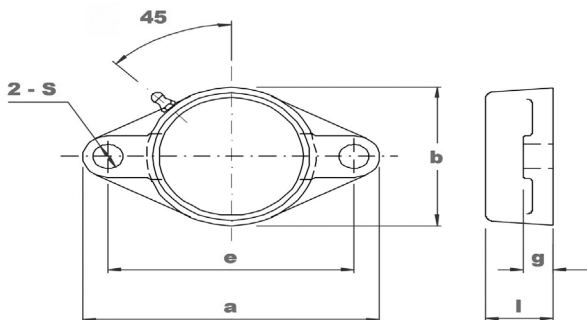
Part No.	d	D	C	B	n	Load	Load	Max	Weight
	mm	mm	mm	mm	mm	D-Kn	S-Kn	rpm	g
U000ER	10	26	8	15	4	4.58	1.98	19000	21
U001ER	12	28	8	16	4	5.1	2.38	18000	28
U002ER	15	32	9	16.5	4.5	5.58	2.85	16000	36
U003ER	17	35	10	17.5	5	6.11	3.25	14000	48
U004ER	20	42	12	21	6	9.38	5.02	12000	88
U005ER	25	47	12	22	6	10.1	5.85	10000	102
U006ER	30	55	13	24.5	6.5	13.2	8.28	8500	153

## P000 Series Housings



Part No.	d	h	L	e	B	v	u	g	w	Weight
	mm	mm	mm	mm	mm	mm	mm	mm	mm	g
P000	10	18	67	53	16	7	7	6	35	42
P001	12	19	71	56	16	7	7	6	38	59
P002	15	22	80	63	16	7	7	7	43	67
P003	17	24	85	67	18	7	7	7	47	87
P004	20	28	100	80	20	10	10	9	55	123
P005	25	32	112	90	20	10	10	10	62	164
P006	30	36	132	106	26	13	13	11	70	234

## FL000 Series Housings



Part No.	d	a	e	g	l	s	b	Weight
	mm	mm	mm	mm	mm	mm	mm	g
FL000	10	60	45	5.5	11.5	7	36	37
FL001	12	63	48	5.5	11.5	7	38	46
FL002	15	67	53	6.5	13	7	42	54
FL003	17	71	56	7	14	7	46	60
FL004	20	90	71	8	16	10	55	103
FL005	25	95	75	8	16	10	60	113
FL006	30	112	85	9	18	13	70	176