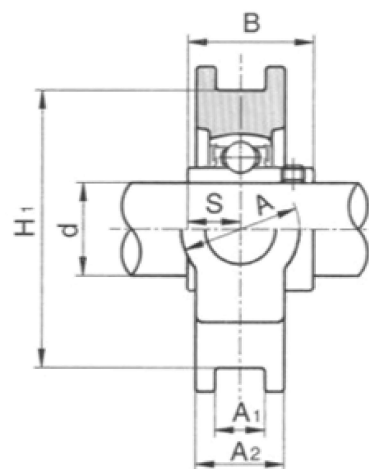
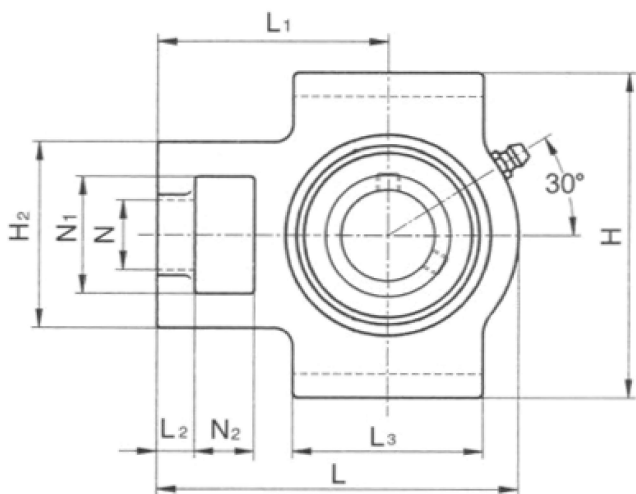


T200 Series



T2

Part No.	Basic Dimensions (mm)																N.W. (kg)
	d	L	L1	L2	L3	N	N1	N2	H	H1	H2	A	A1	A2	S	B	
T204	20	94	61	10	51	19	32	16	89	76	51	32	12	21	12.7	31	0.42
T205	25	97	62	10	51	19	32	16	89	76	51	32	12	24	14.3	34.1	0.46
T206	30	113	70	10	57	22	37	16	102	89	56	37	12	28	15.9	38.1	0.67
T207	35	129	78	13	64	22	37	16	102	89	64	37	12	30	17.5	42.9	0.81
T208	40	144	88	16	83	29	49	19	114	102	83	49	16	33	19	49.2	1.16
T209	45	144	87	16	83	29	49	19	117	102	83	49	16	35	19	49.2	1.19
T210	50	149	90	16	86	29	49	19	117	102	83	49	16	37	19	51.6	1.18
T211	55	171	106	19	95	35	64	25	146	130	102	64	22	38	22.2	55.6	1.92
T212	60	194	119	19	102	35	64	32	146	130	102	64	22	42	25.4	65.1	2.28
T213	65	224	137	21	121	41	70	32	167	151	111	70	26	44	25.4	65.1	3.57
T214	70	224	137	21	121	41	70	32	167	151	111	70	26	46	30.2	74.6	3.5
T215	75	232	140	21	121	41	70	32	167	151	111	70	26	48	33.3	77.8	3.57

NB. Finer Power Transmissions P/L is transitioning into NBR Bearings. Unless NBR Bearings are specifically requested, any remaining PFB/TNC stock will be supplied.