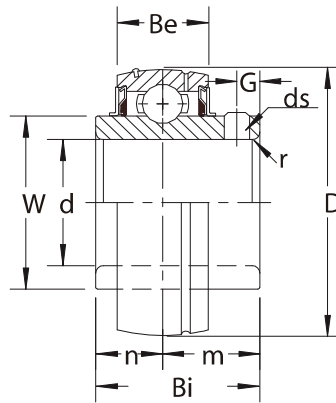


Set Screw Type SUC200 SERIES



Material : Stainless Steel AISI440C

Bearings No.	Shaft Dia.		Dimension (in) (mm)									Load Rating Lb. (kg)		Weight kg.
	In	mm	D	Bi	Be	r	n	m	G	ds	w	Dynami c	Static	
SUC201														
201-8	1/2	12												0.21
202		15	1.8504	1.2205	0.629	0.039	0.500	0.7205	0.177	#10-32	1.142	2230	1390	0.20
202-10	5/8	17	47	31.0	16	1	12.7	18.3	4.5	5 x 0.8	29	1010	630	0.19
203														0.19
														0.18
SUC204														
204-12	3/4	20	1.8504	1.2205	0.629	0.039	0.500	0.7205	0.177	1/4-28	1.142	2230	1390	0.16
			47	31.0	16	1	12.7	18.3	4.55	6 x 1	29	1010	630	
SUC205														
205-14	7/8	25	2.0472	1.3386	0.669	0.059	0.563	0.7756	0.197	1/4-28	1.339	2420	1560	0.19
205-15	15/16		52	34.1	17	1.5	14.3	19.7	5	6 x 1	34	1100	710	0.22
205-16	1													0.20
														0.19
SUC206														
206-18	1 1/8	30	2.4409	1.5000	0.748	0.059	0.626	0.8740	0.197	1/4-28	1.591	3390	2250	0.31
206-19	1 3/16		62	38.1	19	1.5	15.9	22.2	5	6 x 1	40.4	1540	1020	0.34
206-20	1 1/4													0.32
														0.30
SUC207														
207-20	1 1/4	35	2.8346	1.6890	0.787	0.079	0.689	1.0000	0.236	5/16-24	1.866	4470	3090	0.46
207-21	1 5/16		72	42.9	20	2	17.5	25.4	6	8 x 1	47.4	2030	1400	0.52
207-22	1 3/8													0.50
207-23	1 7/16													0.48
														0.46
SUC208														
208-24	1 1/2	40	3.1496	1.9370	0.827	0.079	0.748	1.1890	0.315	5/16-24	2.075	5070	3530	0.63
208-25	1 9/16		80	49.2	21	2	19.0	30.2	8	8 x 1	52.7	2300	1600	0.68
														0.64
SUC209														
209-26	1 5/8	45	3.3465	1.9370	0.866	0.079	0.748	1.1890	0.315	5/16-24	2.248	5660	3990	0.68
209-27	1		85	49.2	22	2	19.0	30.2	8	8 x 1	57.1	2570	1810	0.78
209-28	1 1/16													0.74
	1 3/4													0.70
SUC210														
210-30	1 7/8	50	3.5433	2.0315	0.866	0.079	0.748	1.2835	0.354	3/8-24	2.465	6080	4430	0.78
210-31	1		90	51.6	22	2	19.0	32.6	9	10 x 1.25	62.6	2760	2010	0.86
	15/16													0.80
SUC211														
211-32	2	55	3.9370	2.1890	0.944	0.096	0.874	1.3150	0.354	3/8-24	2.776	7490	5620	1.07
211-34	2 1/8		100	55.6	24	2.5	22.2	33.4	10	10 x 1.25	70.5	3400	2550	1.22
211-35	2 3/16													1.10
														1.05
SUC212														
212-36	2 1/4	60	4.3307	2.5630	1.024	0.098	1.000	1.5630	0.394	3/8-24	3.059	9040	6940	1.51
212-38	2 3/8		110	65.1	26	2.5	25.4	39.7	10	10 x 1.25	77.7	4100	3150	1.65
212-39	2 7/16													1.49
														1.42