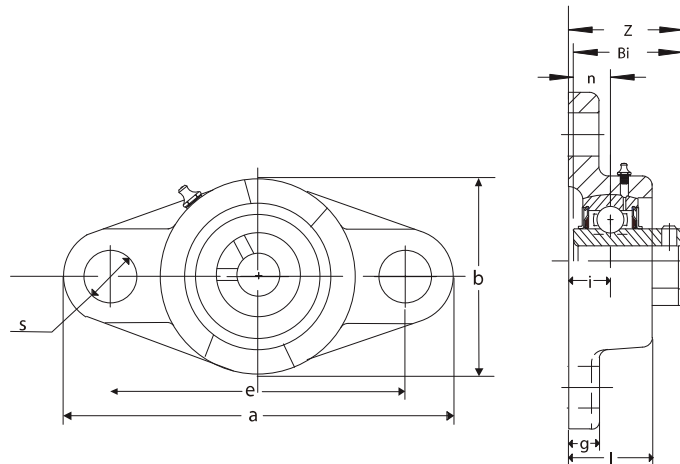


## Flange Units SUCFL200 SERIES



Material : Housing-Stainless Steel AISI304C  
Bearing-Stainless Steel AISI440C

UNIT NO.	Shaft Dia.		Dimension (in) (mm)											Bolt Used		BEARING NO.	HOUSING NO.	Weight kg.	
	In	mm	a	e	i	g	l	s	b	z	Bi	n	t	in	mm				
SUCFL201		12															SUC201		
201-8	1/2	15															201-8		
202																	202		
202-10	5/8	17	4 7/16	3 35/64	19/32	7/16	1	15/32	2 3/8	1 5/16	1.2205	0.5000	1 15/32	3/8	10	202-10	SFL204	0.50	
203		20	113	90	15	11	25.5	12	60	33.3	31.0	12.7				203			
204																204			
204-12	3/4															204-12			
SUCFL205		25															SUC205		
205-14	7/8		5 1/8	3 57/64	5/8	1/2	1 1/16	5/8	2 11/16	1 15/32	1.3425	0.5630	1 9/16	1/2	14	205-14	SFL205	0.70	
205-15	15/16		130	99	16	13	27	16	68	35.7	34.1	14.3				205-15			
205-16	1															205-16			
SUCFL206		30															SUC206		
206-18	1 1/8		5 13/16	4 39/64	45/64	1/2	1 7/32	5/8	3 5/32	1 37/64	1.5000	0.6260	1 23/32	1/2	14	206-18	SFL206	0.98	
206-19	1 3/16		148	117	18	13	31	16	80	40.2	38.1	15.9				206-19			
206-20	1 1/4															206-20			
SUCFL207		35															SUC207		
207-20	1 1/4		6 11/32	5 1/8	3/4	9/16	1 11/32	5/8	3 17/32	1 3/4	1.6890	0.6890	1 29/32	1/2	14	207-20	SFL207	1.35	
207-21	1 5/16		161	130	19	14	34	16	90	44.4	42.9	17.5				207-21			
207-22	1 3/8															207-22			
207-23	1 7/16															207-23			
SUCFL208		40															SUC208		
208-24	1 1/2		6 7/8	5 43/64	53/64	9/16	1 13/32	5/8	3 15/16	2 1/64	1.9370	0.7480	2 5/32	1/2	14	208-24	SFL208	1.69	
208-25	1 9/16		175	144	21	14	36	16	100	51.2	49.2	19.0				208-25			
SUCFL209		45															SUC209		
209-26	1 5/8		7 13/32	5 53/64	55/64	19/32	1 1/2	3/4	4 1/4	2 1/16	1.9370	0.7480	2 7/32	5/8	16	209-26	SFL209	2.04	
209-27	1 11/16		188	148	22	15	38	19	108	52.2	49.2	19.0				209-27			
209-28	1 3/4															209-28			
SUCFL210		50															SUC210		
210-30	1 7/8		7 3/4	6 3/16	55/64	19/32	1 9/16	3/4	4 17/32	2 5/32	2.0315	0.7480	2 5/16	5/8	16	210-30	SFL210	2.30	
210-31	1 15/16		197	157	22	15	40	19	115	54.6	51.6	19.0				210-31			
SUCFL211		55															SUC211		
211-32	2		8 13/16	7 1/4	63/64	23/32	1 11/16	3/4	5 1/8	2 19/64	2.1890	0.8740	2 15/32	5/8	16	211-32	SFL211	3.30	
211-34	2 1/8		224	184	25	18	43	19	130	58.4	55.6	22.2				211-34			
211-35	2 3/16															211-35			
SUCFL212		60															SUC212		
212-36	2 1/4		9 27/32	7 61/64	1 9/64	23/32	1 7/8	29/32	5 1/2	2 45/64	2.5630	1.0000	2 7/8	3/4	20	212-36	SFL212	4.30	
212-38	2 3/8		250	202	29	18	48	23	140	68.7	65.1	25.4				212-38			
212-39	2 7/16															212-39			