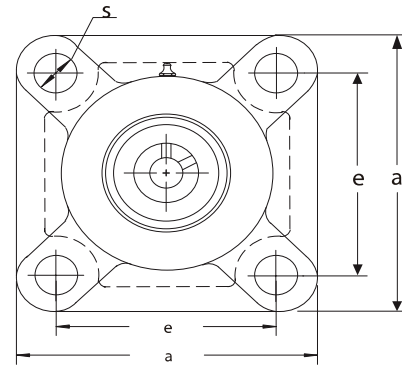
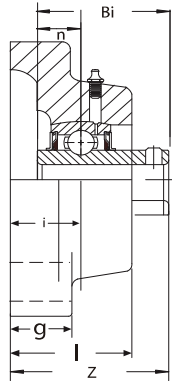


## Flange Units SUCF200 SERIES



Material : Housing-Stainless Steel AISI304C  
Bearing-Stainless Steel AISI440C

Unit NO.	Shaft Dia.		Dimension (in) (mm)										Bolt Used		Bearing NO.	Housing NO.	Weight kg.
	In	mm	a	e	i	g	l	s	z	Bi	n	t	in	mm			
SUCF201 201-8 202 202-10 203 204 204-12	1/2 5/8 3/4	12 15 17 20	3 3/8 86	2 33/64 64	19/32 15	15/32 12	1 25.5	15/32 12	1 5/16 33.3	1.2205 31.0	0.5000 12.7	1 15/32 37.0	3/8 10		SUC201 201-8 202 202-10 203 204 204-12	SF204	0.65
SUCF205 205-14 205-15 205-16	7/8 15/16 1	25	3 3/4 95	2 3/4 70	5/8 16	9/16 14	1 1/16 27	15/32 12	1 13/32 35.8	1.3425 34.1	0.5630 14.3	1 9/16 39.5	3/8 10		SUC205 205-14 205-15 205-16	SF205	0.85
SUCF206 206-18 206-19 206-20	1 1/8 1 3/16 1 1/4	30	4 1/4 108	3 17/64 83	45/64 18	9/16 14	1 7/32 31	15/32 12	1 37/64 40.2	1.5000 38.1	0.6260 15.9	1 23/32 44.0	3/8 10		SUC206 206-18 206-19 206-20	SF206	1.15
SUCF207 207-20 207-21 207-22 207-23	1 1/4 1 5/16 1 3/8 1 7/16	35	4 19/32 117	3 5/8 92	3/4 19	5/8 16	1 11/32 34	35/64 14	1 3/4 44.4	1.6890 42.9	0.6890 17.5	1 29/32 48.5	7/16 12		SUC207 207-20 207-21 207-22 207-23	SF207	1.60
SUCF208 208-24 208-25	1 1/2 1 9/16	40	5 1/8 130	4 1/64 102	53/64 21	5/8 16	1 13/32 36	5/8 16	2 1/64 51.2	1.9370 49.2	0.7480 19.0	2 5/32 55.0	1/2 14		SUC208 208-24 208-25	SF208	2.05
SUCF209 209-26 209-27 209-28	1 5/8 1 11/16 1 3/4	45	5 13/32 137	4 9/64 105	55/64 22	23/32 18	1 1/2 38	5/8 16	2 1/16 52.2	1.9370 49.2	0.7480 19.0	2 7/32 56.0	1/2 14		SUC209 209-26 209-27 209-28	SF209	2.38
SUCF210 210-30 210-31	1 7/8 1 15/16	50	5 5/8 143	4 3/8 111	55/64 22	23/32 18	1 9/16 40	5/8 16	2 5/32 54.6	2.0315 51.6	0.7480 19.0	2 5/16 58.5	1/2 14		SUC210 210-30 210-31	SF210	2.50
SUCF211 211-32 211-34 211-35	2 2 1/8 2 3/16	55	6 3/8 162	5 1/8 130	63/64 25	25/32 20	1 11/16 43	3/4 19	2 19/64 58.4	2.1890 55.6	0.8740 22.2	2 15/32 62.5	5/8 16		SUC211 211-32 211-34 211-36	SF211	3.60
SUCF212 212-36 212-38 212-39	2 1/4 2 3/8 2 7/16	60	6 7/8 175	5 5/8 143	1 9/64 29	25/23 20	1 7/8 48	3/4 19	2 45/64 68.7	2.5630 65.1	1.0000 25.4	2 7/8 73.0	5/8 16		SUC212 212-36 212-38 212-39	SF212	5.15