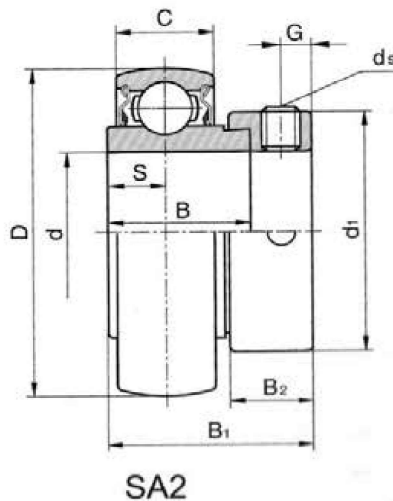


SA200 Series



Part No.	Basic Dimensions (mm / inch)										Basic Loads (KN)		N.W. (kg)
	d	D	B ₁	B	C	S	d ₁	B ₂	h	G	Cr	Cor	
SA201	12	40	28.6	19.1	12	6.5	28.6	13.5	3.4	5	8.2	4	0.13
SA201-8	0.5	1.575	1.126	0.752	0.472	0.256	1.126	0.532	0.134	0.197	8.2	4	0.29
SA202	15	40	28.6	19.1	12	6.5	28.6	13.5	3.4	5	8.2	4	0.12
SA202-10	0.625	1.575	1.126	0.752	0.472	0.256	1.126	0.532	0.134	0.197	8.2	4	0.26
SA204	20	47	31	21.5	14	7.5	33.3	13.5	4	5	11	5.7	0.15
SA204-12	0.75	1.85	1.221	0.846	0.551	0.295	1.311	0.532	0.158	0.197	11	5.7	0.33
SA205	25	52	31	21.5	15	7.5	38.1	13.5	4.2	5	12	6.7	0.2
SA205-14	0.875	2.047	1.221	0.846	0.591	0.295	1.5	0.532	0.165	0.197	12	6.7	0.44
SA205-15	0.938	2.047	1.221	0.846	0.591	0.295	1.5	0.532	0.165	0.197	12	6.7	0.44
SA205-16	1	2.047	1.221	0.846	0.591	0.295	1.5	0.532	0.165	0.197	12	6.7	0.44
SA206	30	62	35.7	23.8	16	9	44.5	15.9	4.8	6	16.7	9.6	0.3
SA206-18	1.125	2.441	1.406	0.937	0.53	0.354	1.752	0.626	0.189	0.236	19.4	11.2	0.66
SA206-20	1.25	2.441	1.406	0.937	0.53	0.354	1.752	0.626	0.189	0.236	16.7	9.6	0.66
SA207	35	72	38.9	25.4	17	9.5	55.6	17.5	5.4	6.5	22	13.1	0.47
SA207-20	1.25	2.835	1.532	1	0.669	0.374	2.189	0.689	0.213	0.256	22	13.1	1.04
SA207-23	1.438	2.835	1.532	1	0.669	0.374	2.189	0.689	0.213	0.256	22	13.1	1.04
SA208	40	80	43.7	30.2	18	11	60.3	18.3	5.9	6.5	28	17	0.63
SA208-24	1.5	3.15	1.721	1.189	0.709	0.433	2.374	0.721	0.232	0.256	28	17	1.39
SA209	45	85	43.7	30.2	19	11	63.5	18.3	6.1	6.5	28.2	17.5	0.66
SA209-28	1.75	3.3465	1.719	1.188	0.748	0.433	2.499	0.720	0.240	0.256	28.2	17.5	0.66
SA210	50	90	43.7	30.2	20	11	69.9	18.3	6.5	6.5	30.1	19.8	0.76

NB. Finer Power Transmissions P/L is transitioning into NBR Bearings. Unless NBR Bearings are specifically requested, any remaining PFB/TNC stock will be supplied.