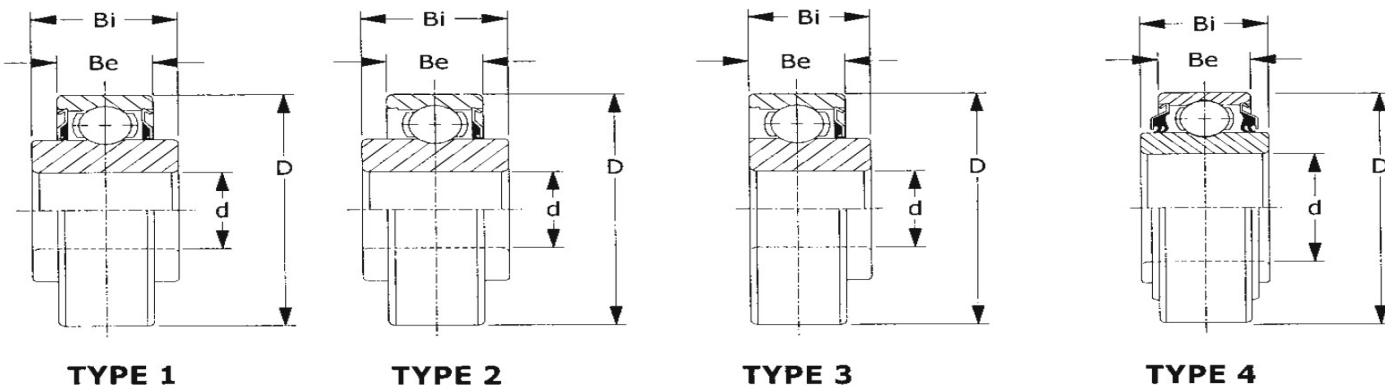
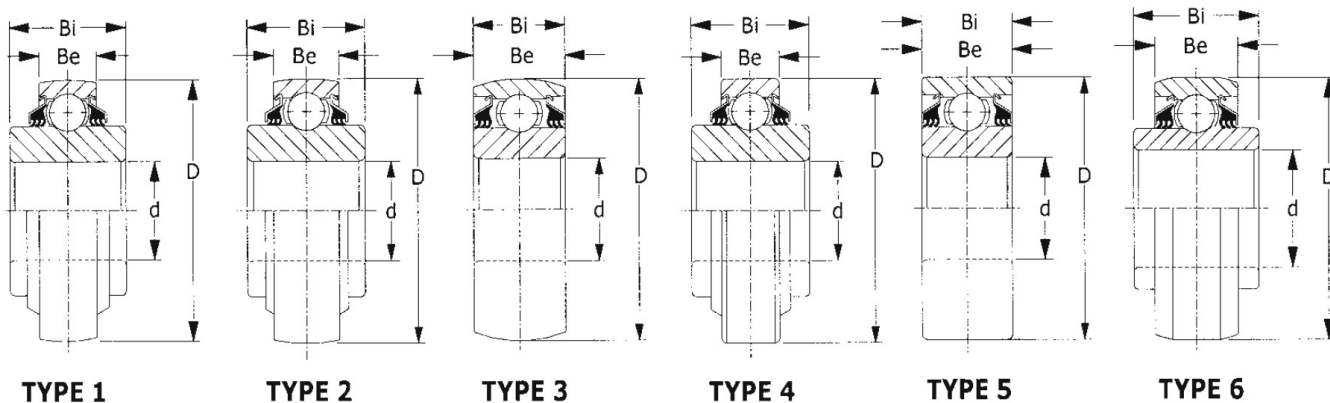


Deep Groove Non Standard Ball Bearings



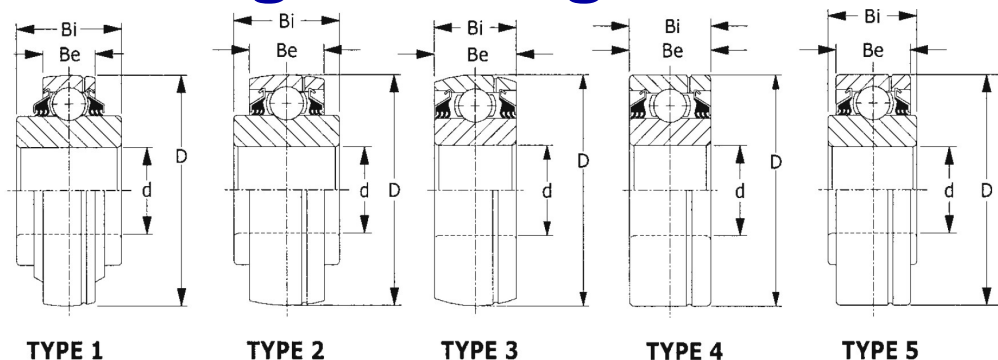
| Part No. | Type | Unit of Measure | d | D | Bi | Be | Load | Ratings | Wt. Lbs. |
|----------|------|-----------------|--------|--------|--------|--------|---------|---------|----------|
| | | | | | | | Dynamic | Static | |
| 203KRR2 | 1 | mm | 0.64 | 1.5748 | 0.72 | 0.4724 | 2.16 | 889 | 0.16 |
| | | Inch | 16.26 | 40 | 18.288 | 12 | | | |
| 203KRR3 | 1 | mm | 0.628 | 2 | 0.5906 | 0.5906 | 2.16 | 889 | 0.16 |
| | | Inch | 15.91 | 50.8 | 15 | 15 | | | |
| 203KRR5 | 1 | mm | 0.515 | 1.5748 | 0.72 | 4.724 | 2.16 | 889 | 0.22 |
| | | Inch | 13.081 | 40 | 18.288 | 12 | | | |
| 205KRP2 | 3 | mm | 0.756 | 2.0472 | 0.831 | 0.9606 | 3.15 | 1.61 | 0.44 |
| | | Inch | 19.202 | 52 | 21.107 | 15 | | | |
| 205PPB7 | 2 | mm | 0.9375 | 2.0472 | 1.375 | 0.9606 | 3.15 | 1.61 | 0.44 |
| | | Inch | 23.813 | 52 | 34.925 | 15 | | | |
| 206KRR13 | 2 | mm | 0.75 | 2.441 | 0.623 | 0.945 | 4.37 | 2.32 | 0.75 |
| | | Inch | 19.05 | 62 | 16 | 24 | | | |
| 208NPPB5 | 5 | mm | 1.438 | 3.1496 | 0.8661 | 0.8661 | 7.34 | 3.65 | 1.04 |
| | | Inch | 36.525 | 80 | 22 | 22 | | | |
| 5203KYY2 | 2* | mm | 0.64 | 1.5748 | 1.737 | 1.5402 | | | |
| | | Inch | 16.256 | 40 | 44.12 | 39.12 | | | |

Plough Bearings - Round Bore Non Relubricable



| Part No. | Type | Unit of Measure | d | D | Be | Bi | Load Ratings | | Wt. Lbs. |
|-----------|------|-----------------|--------|--------|--------|--------|--------------|--------|----------|
| | | | | | | | Dynamic | Static | |
| W208PPB2 | 1 | Inch | 1.5005 | 3.1496 | 0.709 | 1.688 | 7340 | 3650 | 1.59 |
| | | mm | 38.113 | 80 | 18 | 42.875 | | | |
| W208PPB7 | 2 | Inch | 1.188 | 3.1496 | 0.709 | 1.188 | 7340 | 3650 | 1.41 |
| | | mm | 30.175 | 80 | 18 | 30.175 | | | |
| W208PP10 | 4 | Inch | 1.5005 | 3.1496 | 0.827 | 1.688 | 7340 | 3650 | 1.5 |
| | | mm | 38.113 | 80 | 21 | 42.875 | | | |
| W208PPB23 | 2 | Inch | 1.5005 | 3.1496 | 1.188 | 1.688 | 7340 | 3650 | 1.5 |
| | | mm | 38.113 | 80 | 30.175 | 42.875 | | | |
| W210PP2 | 5 | Inch | 1.938 | 3.5433 | 1.188 | 1.188 | 7880 | 4650 | 1.69 |
| | | mm | 49.225 | 90 | 30.175 | 30.175 | | | |
| W210PP8 | 5 | Inch | 1.53 | 3.5433 | 1.188 | 1.188 | 7880 | 4650 | 1.97 |
| | | mm | 38.862 | 90 | 30.175 | 30.175 | | | |
| W211PP2 | 5 | Inch | 2.188 | 3.937 | 1.312 | 1.312 | 9740 | 5850 | 2.33 |
| | | mm | 55.575 | 100 | 33.325 | 33.325 | | | |
| W211PPB2 | 3 | Inch | 2.188 | 3.937 | 1.312 | 1.312 | 9740 | 5850 | 3 |
| | | mm | 55.575 | 100 | 33.325 | 33.325 | | | |
| W214PP2 | 5 | Inch | 2.7559 | 4.9213 | 1.562 | 1.562 | 14000 | 8800 | 4.19 |
| | | mm | 70 | 125 | 39.675 | 39.675 | | | |
| W214PPB9 | 3 | Inch | 2.766 | 4.9213 | 1.102 | 1.75 | 14000 | 8800 | 3.96 |
| | | mm | 70.256 | 125 | 28 | 44.45 | | | |

Plough Bearings - Round Bore Relubricable



| Part No. | Type | Unit of Measure | d | D | Be | Bi | Load Ratings | | Wt. Lbs. |
|------------|------|-----------------|--------|--------|--------|--------|--------------|--------|----------|
| | | | | | | | Dynamic | Static | |
| GW208PPB4 | 3 | Inch | 1.882 | 3.1496 | 1.882 | 1.882 | 7340 | 3650 | 1.59 |
| | | mm | 30.18 | 80 | 30.18 | 30.18 | | | |
| GW209PPB2 | 3 | Inch | 1.7717 | 3.3465 | 1.188 | 1.188 | 7350 | 4150 | 1.44 |
| | | mm | 45 | 85 | 30.175 | 30.175 | | | |
| GW209PPB4 | 3 | Inch | 1.535 | 3.3465 | 1.188 | 1.188 | 7350 | 4150 | 1.65 |
| | | mm | 39 | 85 | 30.175 | 30.175 | | | |
| GW209PPB11 | 1 | Inch | 1.781 | 3.3465 | 0.866 | 1.438 | 7350 | 4150 | 1.37 |
| | | mm | 45.237 | 85 | 22 | 36.525 | | | |
| GW210PPB2 | 3 | Inch | 1.938 | 3.5433 | 1.188 | 1.188 | 7880 | 4650 | 1.5 |
| | | mm | 49.225 | 90 | 30.175 | 30.175 | | | |
| GW210PP3 | 5 | Inch | 1.375 | 3.1496 | 1.188 | 1.188 | 7880 | 4650 | 1.5 |
| | | mm | 34.925 | 80 | 30.175 | 30.175 | | | |
| GW210PPB5 | 3 | Inch | 1.785 | 3.5433 | 1.188 | 1.188 | 7880 | 4650 | 1.8 |
| | | mm | 45.339 | 90 | 30.175 | 30.175 | | | |
| GW210PP9 | 5 | Inch | 1.945 | 3.5433 | 0.906 | 1.438 | 7880 | 4650 | 1.75 |
| | | mm | 49.403 | 90 | 23 | 36.525 | | | |
| GW211PPB8 | 1 | Inch | 2.188 | 3.937 | 0.984 | 1.312 | 9740 | 5850 | 1.85 |
| | | mm | 55.575 | 100 | 25 | 33.325 | | | |
| GW211PPB9 | 1 | Inch | 2.195 | 3.937 | 0.984 | 1.562 | 9740 | 5850 | 2.02 |
| | | mm | 55.753 | 100 | 25 | 39.675 | | | |
| GW211PPB10 | 3 | Inch | 1.938 | 3.937 | 1.312 | 1.312 | 9740 | 5850 | 2.26 |
| | | mm | 49.225 | 100 | 33.325 | 33.325 | | | |
| GW211PPB13 | 1 | Inch | 1.785 | 3.937 | 0.984 | 1.312 | 9740 | 5850 | 2.02 |
| | | mm | 45.339 | 100 | 25 | 33.325 | | | |
| GW211PPB14 | 1 | Inch | 2.015 | 3.937 | 0.984 | 1.312 | 9740 | 5850 | 2 |
| | | mm | 51.181 | 100 | 25 | 33.325 | | | |
| GW211PP25 | 5 | Inch | 1.78 | 3.937 | 1.312 | 1.75 | 9740 | 5850 | 2.44 |
| | | mm | 45.212 | 100 | 33.325 | 44.45 | | | |
| GW214PPB2 | 3 | Inch | 2.7559 | 4.9213 | 1.562 | 1.562 | 14000 | 8800 | 3.96 |
| | | mm | 70 | 125 | 39.675 | 39.675 | | | |
| GW214PPB3 | 3 | Inch | 1.938 | 4.9213 | 1.562 | 1.562 | 14000 | 8800 | 4.24 |
| | | mm | 49.225 | 125 | 39.675 | 39.675 | | | |
| GW214PPB5 | 2 | Inch | 2.7559 | 4.9213 | 1.562 | 2.438 | 14000 | 8800 | 4.75 |
| | | mm | 70 | 125 | 39.675 | 61.925 | | | |
| GW214PPB6 | 1 | Inch | 2.6881 | 4.9213 | 1.1024 | 2.6875 | 14000 | 8800 | 5.14 |
| | | mm | 68.278 | 125 | 28 | 68.263 | | | |
| GW216PP5 | 5 | Inch | 2.5 | 5.512 | 1.1811 | 2.5 | 16820 | 10400 | 6.32 |
| | | mm | 63.88 | 140 | 30 | 63.5 | | | |