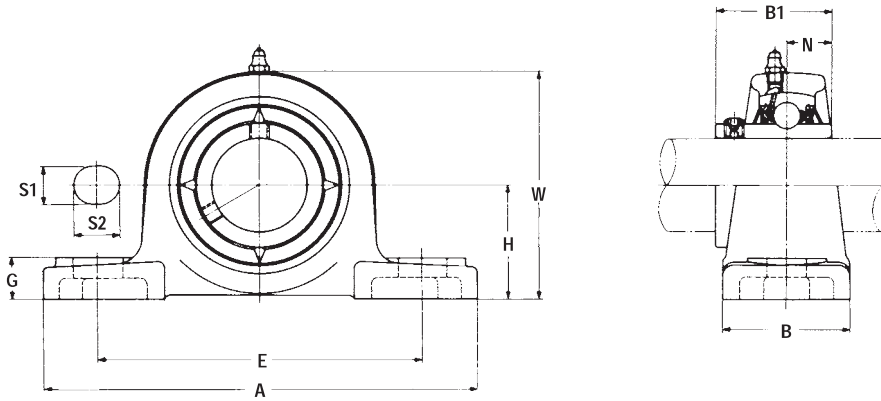


1

PILLOW BLOCKS

UCPX Series medium duty

Set screw locking



SHAFT DIA. d		UNIT No.	DIMENSIONS mm											BEARING No.	HOUSING No.	UNIT MASS kg
(mm)	(in)		H	A	E	B	S2	S1	G	W	B1	N	Bolt			
25	$\frac{7}{8}$ $\frac{15}{16}$ 1	UCPX05-014 UCPX05-015 UCPX05 UCPX05-100	44.4	159	119	51	20	17	18	85	38.1	15.9	M14	UCX05-014 UCX05-015 UCX05 UCX05-100	PX05	1.5
30	$\frac{1}{8}$ $\frac{13}{16}$ $\frac{1}{4}$	UCPX06-102 UCPX06 UCPX06-103 UCPX06-104	47.6	175	127	57	20	17	20	93	42.9	17.5	M14	UCX06-102 UCX06 UCX06-103 UCX06-104	PX06	2.0
35	$\frac{13}{8}$ $\frac{1}{16}$	UCPX07-106 UCPX07 UCPX07-107	54.0	203	144	57	20	17	21	105	49.2	19.0	M14	UCX07-106 UCX07 UCX07-107	PX07	2.6
40	$\frac{1}{2}$	UCPX08-108 UCPX08	58.7	222	156	67	23	20	26	111	49.2	19.0	M16	UCX08-108 UCX08	PX08	3.3
45	$\frac{15}{8}$ $\frac{11}{16}$ $\frac{3}{4}$	UCPX09-110 UCPX09-111 UCPX09-112 UCPX09	58.7	222	156	67	23	20	26	116	51.6	19.0	M16	UCX09-110 UCX09-111 UCX09-112 UCX09	PX09	3.3
50	$\frac{17}{8}$ $\frac{15}{16}$ 2	UCPX10-114 UCPX10-115 UCPX10 UCPX10-200	63.5	241	171	73	23	20	27	126	55.6	22.2	M16	UCX10-114 UCX10-115 UCX10 UCX10-200	PX10	4.3
55	$\frac{21}{8}$ $\frac{23}{16}$ $\frac{21}{4}$	UCPX11-202 UCPX11 UCPX11-203 UCPX11-204	69.8	260	184	79	28	25	30	137	65.1	25.4	M20	UCX11-202 UCX11 UCX11-203 UCX11-204	PX11	5.7
60	$\frac{23}{8}$ $\frac{21}{16}$	UCPX12 UCPX12-206 UCPX12-207	76.2	286	203	83	28	25	33	51	65.1	25.4	M20	UCX12 UCX12-206 UCX12-207	PX12	7.3
65	$\frac{21}{2}$	UCPX13-208 UCPX13	76.2	286	203	83	28	25	33	154	74.6	30.2	M20	UCX13-208 UCX13	PX13	7.6
70	$\frac{25}{8}$ $\frac{21}{16}$ $\frac{3}{4}$	UCPX14-210 UCPX14-211 UCPX14-212 UCPX14	88.9	330	229	89	30	27	35	170	77.8	33.3	M22	UCX14-210 UCX14-211 UCX14-212 UCX14	PX14	9.9
75	$\frac{215}{16}$ 3	UCPX15 UCPX15-215 UCPX15-300	88.9	330	229	89	30	27	35	175	82.6	33.3	M22	UCX15 UCX15-215 UCX15-300	PX15	11.0
80		UCPX16	101.6	381	283	102	30	27	40	194	85.7	34.1	M22	UCX16	PX16	15.0
85	$\frac{31}{4}$	UCPX17-304 UCPX17	101.6	381	283	102	30	27	40	200	96.0	39.7	M22	UCX17-304 UCX17	PX17	16.0
90	$\frac{31}{2}$	UCPX18-308 UCPX18	101.6	381	283	111	30	27	40	206	104.0	42.9	M22	UCX18-308 UCX18	PX18	17.0
100	4	UCPX20 UCPX20-400	127.0	432	337	121	36	33	45	244	117.5	49.2	M27	UCX20 UCX20-400	PX20	30.0