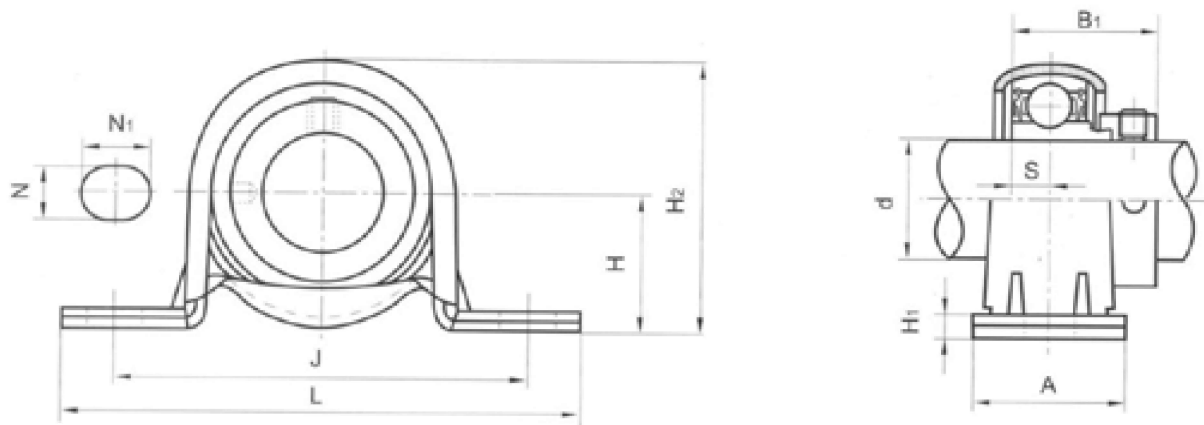


PP200 Press Metal Series

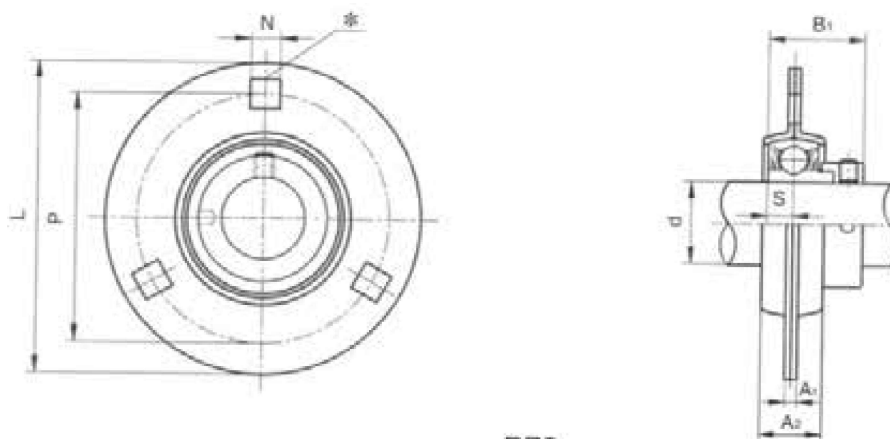


PP2

Part No.	Basic Dimensions (mm)											N.W. (kg)
	d	H	L	J	A	N	N1	H1	H2	S	B1	
PP203	17	22.2	86	68	25	9	12.7	3.2	43.8	6	22	0.06
PP204	20	25.4	98	76	32	9	12.7	3.2	50.5	7	25	0.08
PP205	25	28.6	108	86	32	11	14.3	4	56.6	7.5	27	0.1
PP206	30	33.3	117	95	38	11	14.3	4	66.3	8	30	0.15
PP207	35	39.7	129	106	23.8	11	14.3	5	78	8.5	32	0.2
PP208	40	43.7	148	120	24.5	11	14.3	5	86.5	9	34	0.3
PP209	45	46.8	156	128	31.5	11	14.3	6	93.5	10.2	41.2	0.3

NB. Finer Power Transmissions P/L is transitioning into NBR Bearings. Unless NBR Bearings are specifically requested, any remaining PFB/TNC stock will be supplied.

PF200 Press Metal Series



PF2

Part No.	Basic Dimensions (mm)									N.W. (kg)
	d	L	P	A1	N	A2	B1	S		
PF203	17	81	63.5	4	7.1	14	28.6	6.5	0.11	
PF204	20	90	71.5	4	9	16	31	7.5	0.13	
PF205	25	95	76	4	9	18	33	7.5	0.14	
PF206	30	113	90.5	5	11	19	36	9	0.25	
PF207	35	122	100	5	11	20	38	9.6	0.4	
PF208	40	148	119	7	13.5	23	40.5	8.6	0.5	
PF209	45	150	120	7	13.5	23	41.2	9.1	0.6	

NB. Finer Power Transmissions P/L is transitioning into NBR Bearings. Unless NBR Bearings are specifically requested, any remaining PFB/TNC stock will be supplied.

Every effort has been taken to ensure that the data listed in this catalogue is correct. Finer Power Transmissions P/L will not accept liability for any damage or loss caused as a result of the data in this catalogue.