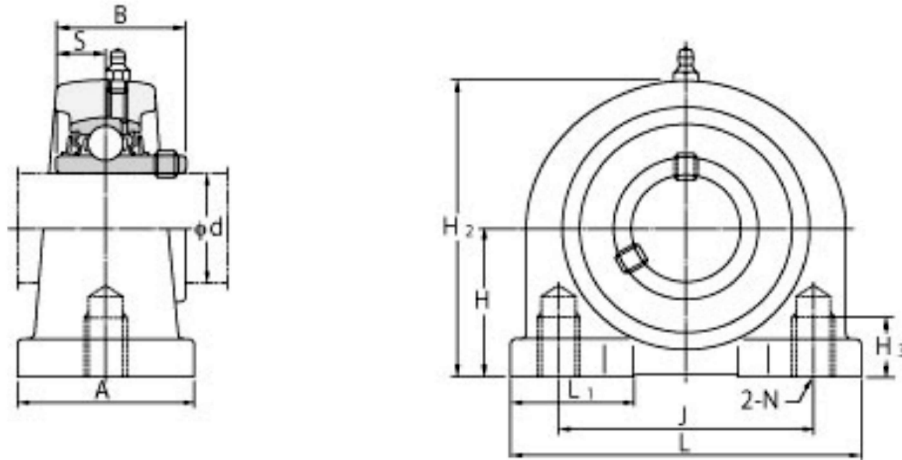


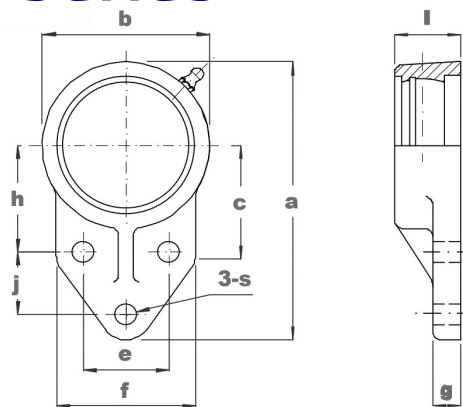
## PL-PA200 Series



| Part No. | Basic Dimensions (mm) |      |     |    |    |     |    |      |      |    |     | N.W. (kg) |
|----------|-----------------------|------|-----|----|----|-----|----|------|------|----|-----|-----------|
|          | d                     | H    | L   | J  | A  | H2  | H3 | S    | B    | H3 | N   |           |
| PL-PA204 | 20                    | 30.2 | 76  | 52 | 40 | 62  | 12 | 12.7 | 31   | 13 | M10 | 0.43      |
| PL-PA205 | 25                    | 36.5 | 84  | 56 | 38 | 72  | 12 | 14.3 | 34.1 | 15 | M10 | 0.62      |
| PL-PA206 | 30                    | 42.9 | 94  | 66 | 48 | 84  | 12 | 15.9 | 38.1 | 18 | M14 | 0.89      |
| PL-PA207 | 35                    | 47.6 | 110 | 80 | 48 | 95  | 12 | 17.5 | 42.9 | 20 | M14 | 1.24      |
| PL-PA208 | 40                    | 49.2 | 116 | 84 | 54 | 100 | 12 | 19   | 49.2 | 20 | M14 | 1.27      |
| PL-PA209 | 45                    | 54.2 | 120 | 90 | 60 | 108 | 12 | 19   | 49.2 | 25 | M14 | 1.52      |
| PL-PA210 | 50                    | 57.2 | 130 | 94 | 60 | 116 | 12 | 19   | 51.6 | 25 | M16 | 1.82      |

NB. Finer Power Transmissions P/L is transitioning into NBR Bearings. Unless NBR Bearings are specifically requested, any remaining PFB/TNC stock will be supplied.

## PL-FB200 Series



| Part No. | Basic Dimensions (mm) |    |    |    |    |      |    |    |     |    |      | N.W. (kg) |
|----------|-----------------------|----|----|----|----|------|----|----|-----|----|------|-----------|
|          | a                     | h  | e  | j  | g  | l    | c  | s  | b   | f  | Bolt |           |
| PL-FB204 | 110                   | 42 | 32 | 27 | 13 | 25.5 | 52 | 10 | 62  | 52 | M8   | 0.45      |
| PL-FB205 | 116                   | 45 | 34 | 27 | 13 | 27   | 52 | 10 | 68  | 56 | M8   | 0.5       |
| PL-FB206 | 130                   | 50 | 40 | 29 | 13 | 31   | 55 | 10 | 78  | 65 | M8   | 0.62      |
| PL-FB207 | 144                   | 55 | 46 | 32 | 15 | 34   | 62 | 10 | 90  | 70 | M8   | 0.84      |
| PL-FB208 | 164                   | 60 | 50 | 41 | 16 | 36   | 72 | 12 | 100 | 78 | M10  | 1.17      |

NB. Finer Power Transmissions P/L is transitioning into NBR Bearings. Unless NBR Bearings are specifically requested, any remaining PFB/TNC stock will be supplied.