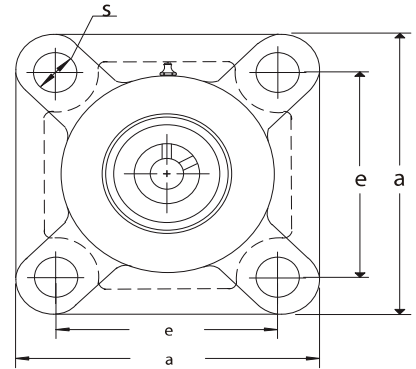
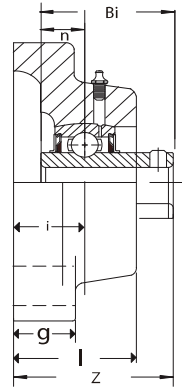


Flange Units SUCF200-TF SERIES



Stainless Steel Bearings with
Thermoplastic Housings
Material : Housing-Polybutlene (PBT)
Bearing-Stainless Steel AISI440C

UNIT NO.	Shaft Dia.		Dimension (in) (mm)										Bolt Used		BEARING NO.	HOUSING NO.	Weight kg.		
	In	mm	a	e	i	g	l	s	z	Bi	n	t	in	mm					
SUCF201-TF 201-8TF 202-TF 202-10TF 203-TF 204-TF 204-12TF	1/2 5/8 3/4	12 15 17 20															SUC201 201-8 202 202-10 203 204 204-12	F204-TF	0.65
SUCF205-TF 205-14TF 205-15TF 205-16TF	7/8 15/16 1	25															SUC205 205-14 205-15 205-16	F205-TF	0.85
SUCF206-TF 206-18TF 206-19TF 206-20TF	1 1/8 1 3/16 1 1/4	30															SUC206 206-18 206-19 206-20	F206-TF	1.15
SUCF207-TF 207-20TF 207-21TF 207-22TF 207-23TF	1 1/4 1 5/16 1 3/8 1 7/16	35															SUC207 207-20 207-21 207-22 207-23	F207-TF	1.60
SUCF208-TF 208-24TF 208-25TF	1 1/2 1 9/16	40															SUC208 208-24 208-25	F208-TF	2.05
SUCF209-TF 209-26TF 209-27TF 209-28TF	1 5/8 1 11/16 1 3/4	45															SUC209 209-26 209-27 209-28	F209-TF	2.38
SUCF210-TF 210-30TF 210-31TF	1 7/8 1 15/16	50															SUC210 210-30 210-31	F210-TF	2.50
SUCF211-TF 211-32TF 211-34TF 211-35TF	2 2 1/8 2 3/16	55															SUC211 211-32 211-34 211-35	F211-TF	3.60
SUCF212-TF 212-36TF 212-38TF 212-39TF	2 1/4 2 3/8 2 7/16	60															SUC212 212-36 212-38 212-39	F212-TF	5.15