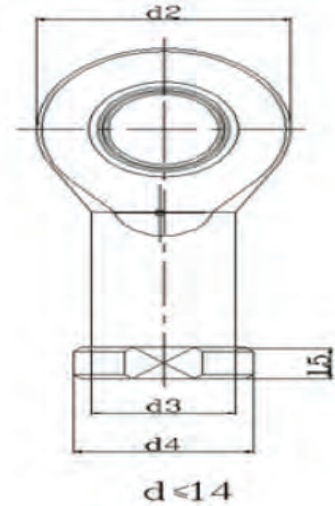
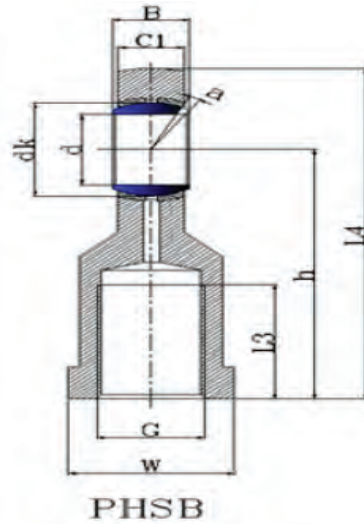


SDTZ Rod Ends are manufactured with a bronze liner on the spherical surface of the outer ring and a chromium liner on the surface of the inner ring.

The surface of the rod body is zinc plated and the housing containing a lubrication hole or grease nipple.

Sliding surfaces are bronze and steel.

All rod ends are available in either left or right hand thread (Add the suffix "L" for left hand thread).



## PHSB Series

Bearing Number	Dimensions														Load ratings(KN)		Weight (kg)
	d	B	dk	C1	d2	G	h	L3	L4	L5	W	d3	d4	a° ≈	Dynamic	Static	
PHSB3	4.826	7.93	11.10	6.35	15.88	10-32	26.97	14.27	34.91	4.75	7.92	7.54	10.31	10	3.4	4.6	0.015
PHSB4	6.350	9.53	12.70	7.14	19.05	1/4-28	33.32	19.05	42.85	4.75	9.53	9.15	11.91	13	4.5	7.7	0.025
PHSB5	7.938	11.10	15.88	8.74	22.23	5/16-24	34.93	19.05	46.04	4.75	11.1	10.72	12.70	10	6.9	8.4	0.036
PHSB6	9.525	12.70	18.26	10.31	25.40	3/8-24	41.28	23.80	53.98	6.35	14.27	13.89	17.45	9	9.4	10	0.061
PHSB7	11.113	14.28	20.62	11.10	28.58	7/16-20	46.02	26.97	60.31	6.35	15.88	15.49	19.05	11	11	13	0.081
PHSB8	12.700	15.88	23.81	12.70	33.32	1/2-20	53.98	30.15	70.64	6.35	19.05	18.67	22.23	9	15	19	0.133
PHSB10	15.875	19.05	28.58	14.27	38.10	5/8-18	63.50	38.10	82.55	7.92	22.23	21.84	25.40	11	20	21	0.190
PHSB12	19.050	22.23	33.32	17.45	44.45	3/4-16	73.03	44.45	95.25	7.92	25.4	25.02	28.58	10	29	29	0.285
PHSB16	25.400	34.93	47.63	25.40	69.85	5/4-12	104.78	53.98	139.7	11.1	38.1	37.72	44.45	14	60	101	1.000