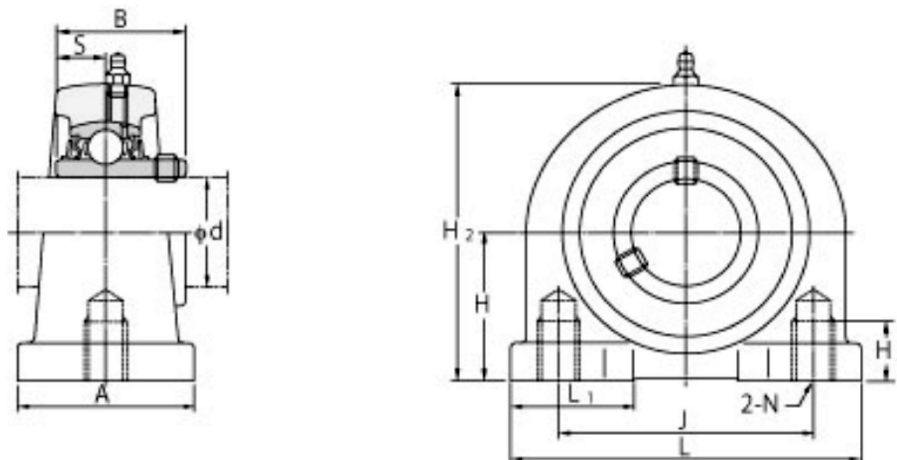


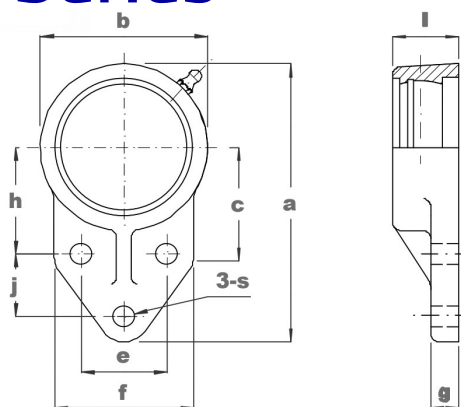
PL-PA200 Series



Part No.	Basic Dimensions (mm)											N.W. (kg)
	d	H	L	J	A	H2	H3	S	B	H3	N	
PL-PA204	20	30.2	76	52	40	62	12	12.7	31	13	M10	0.43
PL-PA205	25	36.5	84	56	38	72	12	14.3	34.1	15	M10	0.62
PL-PA206	30	42.9	94	66	48	84	12	15.9	38.1	18	M14	0.89
PL-PA207	35	47.6	110	80	48	95	12	17.5	42.9	20	M14	1.24
PL-PA208	40	49.2	116	84	54	100	12	19	49.2	20	M14	1.27
PL-PA209	45	54.2	120	90	60	108	12	19	49.2	25	M14	1.52
PL-PA210	50	57.2	130	94	60	116	12	19	51.6	25	M16	1.82

NB. Finer Power Transmissions P/L is transitioning into NBR Bearings. Unless NBR Bearings are specifically requested, any remaining PFB/TNC stock will be supplied.

PL-FB200 Series



Part No.	Basic Dimensions (mm)											N.W. (kg)
	a	h	e	j	g	l	c	s	b	f	Bolt	
PL-FB204	110	42	32	27	13	25.5	52	10	62	52	M8	0.45
PL-FB205	116	45	34	27	13	27	52	10	68	56	M8	0.5
PL-FB206	130	50	40	29	13	31	55	10	78	65	M8	0.62
PL-FB207	144	55	46	32	15	34	62	10	90	70	M8	0.84
PL-FB208	164	60	50	41	16	36	72	12	100	78	M10	1.17

NB. Finer Power Transmissions P/L is transitioning into NBR Bearings. Unless NBR Bearings are specifically requested, any remaining PFB/TNC stock will be supplied.