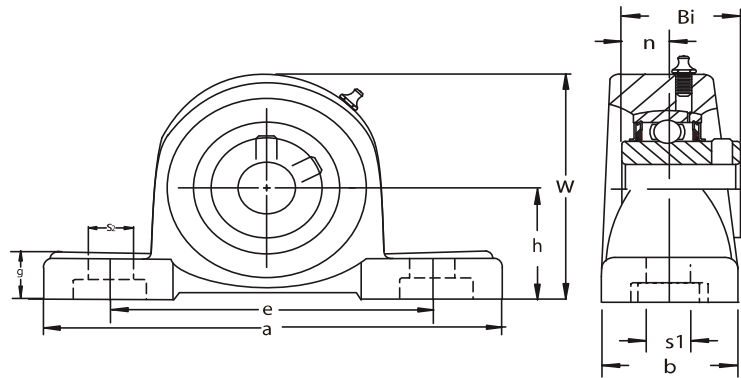


Pillow Blocks UCP300 SERIES



《Metric series》

Unit No.	Shaft Diam. mm	Dimensions mm										Bolt Size mm	Bearing No.	Housing No.	Weight kg
		h	a	e	b	s1	s2	g	w	Bi	n				
UCP305	25	45	175	132	45	17	20	16	84	38	15	M14	UC305	P305	1.6
UCP306	30	50	180	140	50	17	20	19	94	43	17	M14	UC306	P306	1.9
UCP307	35	56	210	160	56	17	25	21	105	48	19	M14	UC307	P307	2.7
UCP308	40	60	220	170	60	17	27	23	116	52	19	M14	UC308	P308	3.3
UCP309	45	67	245	190	67	20	30	25	128	57	22	M16	UC309	P309	4.5
UCP310	50	75	275	212	75	20	35	28	143	61	22	M16	UC310	P310	6.2
UCP311	55	80	310	236	80	20	38	31	154	66	25	M16	UC311	P311	7.7
UCP312	60	85	330	250	85	25	38	33	165	71	26	M20	UC312	P312	9.3
UCP313	65	90	340	260	90	25	38	36	174	75	30	M20	UC313	P313	9.8
UCP314	70	95	360	280	90	27	40	40	186	78	33	M22	UC314	P314	11.4
UCP315	75	100	380	290	100	27	40	40	197	82	32	M22	UC315	P315	13.6
UCP316	80	106	400	300	110	27	40	45	209	86	34	M22	UC316	P316	16.4
UCP317	85	112	420	320	110	33	45	45	221	96	40	M27	UC317	P317	18.6
UCP318	90	118	430	330	110	33	45	50	233	96	40	M27	UC318	P318	20.9
UCP319	95	125	470	360	120	36	50	50	250	103	41	M30	UC319	P319	26.5
UCP320	100	140	490	380	120	36	50	55	275	108	42	M30	UC320	P320	34.3
UCP321	105	140	490	380	120	36	50	55	278	112	44	M30	UC321	P321	36.6
UCP322	110	150	520	400	140	40	55	60	295	117	46	M33	UC322	P322	42.5
UCP324	120	160	570	450	140	40	55	70	321	126	51	M33	UC324	P324	53.5
UCP326	130	180	600	480	140	40	55	80	354	135	54	M33	UC326	P326	72.1
UCP328	140	200	620	500	140	40	55	80	388	145	59	M33	UC328	P328	89.1

* 《inch series》

Unit No.	Shaft Diam. In.	Dimensions in.										Bolt Size In.	Bearing No.	Housing No.	Weight lb.
		h	a	e	b	s1	s2	g	w	Bi	n				
UCP305-14 305-16	7/8 1	1 49/64	6 7/8	5 1/4	1 3/4	21/32	25/32	5/8	3 19/64	1.496	0.591	1/2	UC305-14 305-16	P305	3.53
UCP306-18	1 1/8	1 31/32	7 1/16	5 1/2	2	21/32	25/32	3/4	3 11/16	1.693	0.669	1/2	UC306-18	P306	4.19
UCP307-20 307-22	1 1/4 1 3/8	2 13/64	8 1/4	6 1/4	2 1/4	21/32	1	13/16	4 1/8	1.890	0.748	1/2	UC307-20 307-22	P307	5.95
UCP308-24	1 1/2	2 23/64	8 11/16	6 3/4	2 3/8	21/32	1 1/16	29/32	4 9/16	2.047	0.748	1/2	UC308-24	P308	7.27
UCP309-26 309-28	1 5/8 1 3/4	2 41/64	9 5/8	7 1/2	2 5/8	25/32	1 3/8	1	5 1/32	2.244	0.866	5/8	UC309-26 309-28	P309	9.92
UCP310-30	1 7/8	2 61/64	10 13/16	8 3/8	3	25/32	1 3/8	1 3/32	5 5/8	2.402	0.866	5/8	UC310-30	P310	13.66
UCP311-32 311-34	2 2 1/8	3 5/32	12 3/16	9 1/4	3 1/8	25/32	1 1/2	1 7/32	6 1/16	2.598	0.984	5/8	UC311-32 311-34	P311	16.97
UCP312-36 312-38	2 1/4 2 3/8	3 11/32	13	9 7/8	3 3/8	1	1 1/2	1 5/16	6 1/2	2.795	1.024	3/4	UC312-36 312-38	P312	20.50
UCP313-40	2 1/2	3 35/64	13 3/8	10 1/4	3 1/2	1	1 1/2	1 13/32	6 27/32	2.953	1.181	3/4	UC313-40	P313	21.60
UCP314-44	2 3/4	3 47/64	14 3/16	11	3 1/2	1 1/16	1 9/16	1 9/16	7 5/16	3.071	1.299	7/8	UC314-44	P314	25.13
UCP315-48	3	3 15/16	15	11 3/8	3 7/8	1 1/16	1 9/16	1 9/16	7 3/4	3.228	1.260	7/8	UC315-48	P315	29.97
UCP316-50	3 1/8	4 11/64	15 3/4	11 3/4	4 3/8	1 1/16	1 9/16	1 25/32	8 7/32	3.386	1.339	7/8	UC316-50	P316	36.15
UCP317-52	3 1/4	4 13/32	16 9/16	12 5/8	4 3/8	1 5/16	1 25/32	1 25/32	8 11/16	3.780	1.575	1	UC317-52	P317	40.99
UCP318-56	3 1/2	4 41/64	16 15/16	13	4 3/8	1 5/16	1 25/32	1 31/32	9 3/16	3.780	1.575	1	UC318-56	P318	46.06
UCP319-60	3 3/4	4 59/64	18 1/2	14 1/8	4 3/4	1 13/32	1 31/32	1 31/32	9 27/32	4.055	1.614	1 1/8	UC319-60	P319	58.41
UCP320-64	4	5 33/64	19 5/16	15	4 3/4	1 13/32	1 31/32	2 5/32	10 13/16	4.252	1.654	1 1/8	UC320-64	P320	75.60