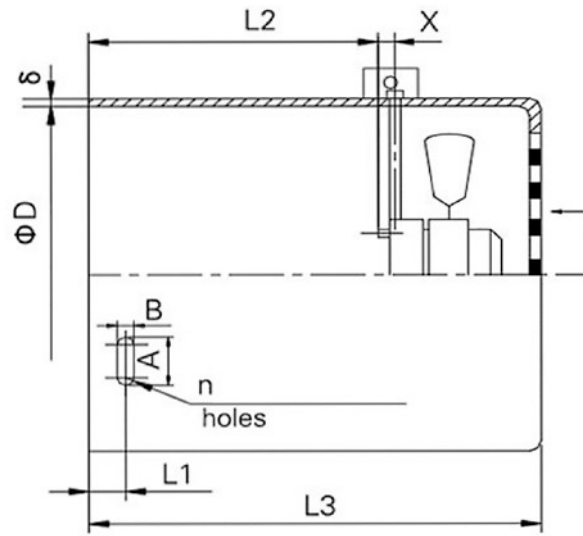


FORCE VENTILATION KITS 415/3/50



FORCE VENTILATION MOTOR & DIMENSIONAL DATA

Frame	Wattage	M ³ /hour	DIMENSIONS						
			D	L1	L2	L3	A	B	S
63	20	45	121	13	75	165	4	R 3.0	1.2
71	25	52	137	13	90	180	4	R 3.0	1.2
80	29	58	157	6	105	195	4	R 3.0	1.2
90	32	91	175	7	115	205	4	R 3.0	1.2
100	58	142	197	7	120	220	4	R 3.0	1.2
112	69	229	218	8	140	240	5	R 3.5	1.2
132	52	337	250	8	140	250	5	R 3.5	1.5
160	70	609	311	15	165	311	6	R 4.5	1.5
180	85	686	357	40	220	340	6	R 4.5	1.5
200	105	1679	396	40	230	355	6	R 4.5	1.5
225	75	1786	456	35	220	375	6	R 4.5	2.0
250	115	1813	504	42	240	397	6	R 4.5	2.0
280	180	2415	556	50	260	425	9	R 5.5	2.0
315	480	2820	678	55	340	535	7	R 6.5	2.0
355	400	3500	694	82	380	585	7	R 6.5	2.0

Frame 63 to 132 also available in 240/1/50.

Available in IP66 version from frame 63 to 250.