

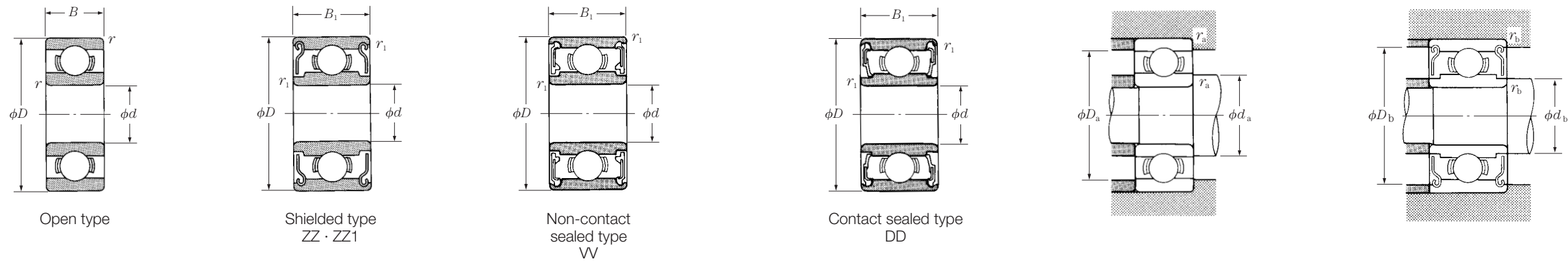
Single-row deep groove ball bearings

Metric series

600, MR

Bore diameter

5 – 9 mm



d	Boundary dimensions (mm)					Basic load ratings (N) / {kgf}				Limiting speeds (min^{-1})			Bearing numbers			Abutment and fillet dimensions (mm)						Mass (g)		Basic bearing numbers	Actual size ⁽²⁾			
	D	B	B_1	r ⁽¹⁾ min.	r_1 ⁽¹⁾ min.	C_r	C_{or}	C_r	C_{or}	Open Z-ZZ V-W	D-DD	Oil Open Z	Open	Shielded	Seals	d_a min.	d_b max.	D_a max.	D_b min.	r_a max.	r_b max.	Open approx.	Shielded approx.					
5	8	2	—	0.1	—	310	120	31	12	53 000	—	63 000	MR 85	—	—	5.8	—	7.2	—	0.1	—	0.26	—	MR 85 MR 85 MR 95 MR 105 MR 115 685 695 605 625 635 MR 106 MR 126 686 A 696 606 626 636 MR 117 MR 137 687 697 607 627 637 MR 128 MR 148 688 A 698 608 628 638 689 699 609 629 639				
	8	—	2.5	—	0.1	278	131	28	13	53 000	—	63 000	—	MR 85 ZZ	—	—	—	5.8	—	7.4	—	0.1	—			—	0.34	
	9	2.5	3	0.15	0.15	430	168	44	17	50 000	—	60 000	MR 95	MR 95 ZZ1	—	—	6.2	6.0	7.8	8.2	0.15	0.15	0.50			0.58		
	10	3	4	0.15	0.15	430	168	44	17	50 000	—	60 000	MR 105	MR 105 ZZ	—	—	6.2	6.0	8.8	8.4	0.15	0.15	0.95			1.29		
	11	—	4	—	0.15	715	276	73	28	48 000	—	56 000	—	MR 115 ZZ	VV	—	—	—	6.3	—	9.8	—	0.15			—	—	1.5
	11	3	5	0.15	0.15	715	281	73	29	45 000	—	53 000	685	685 ZZ	—	—	6.2	6.2	9.8	9.9	0.15	0.15	1.2			1.96		
	13	4	4	0.2	0.2	1 080	430	110	44	43 000	40 000	50 000	695	695 ZZ1	VV DD	6.6	6.6	11.4	11.2	0.2	0.2	2.45	2.5					
	14	5	5	0.2	0.2	1 330	505	135	52	40 000	38 000	50 000	605	605 ZZ	— DD	6.6	6.9	12.4	12.2	0.2	0.2	3.54	3.48					
	16	5	5	0.3	0.3	1 730	670	177	68	36 000	32 000	43 000	625	625 ZZ1	VV DD	7.0	7.5	14.0	13.8	0.3	0.3	4.95	4.86					
	19	6	6	0.3	0.3	2 340	885	238	90	32 000	30 000	40 000	635	635 ZZ1	VV DD	7.0	8.5	17.0	16.5	0.3	0.3	8.56	8.34					
	6	10	2.5	3	0.15	0.1	495	218	51	22	45 000	—	53 000	MR 106	MR 106 ZZ1	—	—	7.2	7.0	8.8	9.3	0.15	0.1			0.56	0.68	
		12	3	4	0.2	0.15	715	292	73	30	43 000	40 000	50 000	MR 126	MR 126 ZZ	— DD	7.6	7.2	10.4	10.9	0.2	0.15	1.27			1.74		
		13	3.5	5	0.15	0.15	1 080	440	110	45	40 000	38 000	50 000	686 A	686 A ZZ	VV DD	7.2	7.4	11.8	11.7	0.15	0.15	1.91			2.69		
		15	5	5	0.2	0.2	1 730	670	177	68	40 000	36 000	45 000	696	696 ZZ1	VV DD	7.6	7.9	13.4	13.3	0.2	0.2	3.88			3.72		
17		6	6	0.3	0.3	2 260	835	231	85	38 000	34 000	45 000	606	606 ZZ	VV DD	8.0	8.2	15.0	14.8	0.3	0.3	5.97	6.08					
19		6	6	0.3	0.3	2 340	885	238	90	32 000	30 000	40 000	626	626 ZZ1	VV DD	8.0	8.5	17.0	16.5	0.3	0.3	8.15	7.94					
22		7	7	0.3	0.3	3 300	1 370	335	140	30 000	28 000	36 000	636	636 ZZ	VV DD	8.0	10.5	20.0	19.0	0.3	0.3	14	14					
7	11	2.5	3	0.15	0.1	455	201	47	21	43 000	—	50 000	MR 117	MR 117 ZZ	—	—	8.2	8.0	9.8	10.5	0.15	0.1	0.62	0.72				
	13	3	4	0.2	0.15	540	276	55	28	40 000	—	48 000	MR 137	MR 137 ZZ	—	—	8.6	9.0	11.4	11.6	0.2	0.15	1.58	2.02				
	14	3.5	5	0.15	0.15	1 170	510	120	52	40 000	34 000	45 000	687	687 ZZ1	VV DD	8.2	8.5	12.8	12.7	0.15	0.15	2.13	2.97					
	17	5	5	0.3	0.3	1 610	710	164	73	36 000	28 000	43 000	697	697 ZZ1	VV DD	9.0	10.2	15.0	14.8	0.3	0.3	5.26	5.12					
	19	6	6	0.3	0.3	2 340	885	238	90	36 000	32 000	43 000	607	607 ZZ1	VV DD	9.0	9.1	17.0	16.5	0.3	0.3	7.67	7.51					
	22	7	7	0.3	0.3	3 300	1 370	335	140	30 000	28 000	36 000	627	627 ZZ	VV DD	9.0	10.5	20.0	19.0	0.3	0.3	12.7	12.9					
8	12	2.5	3.5	0.15	0.1	545	274	56	28	40 000	—	48 000	MR 128	MR 128 ZZ1	—	—	9.2	9.0	10.8	11.3	0.15	0.1	0.71	0.97				
	14	3.5	4	0.2	0.15	820	385	83	39	38 000	32 000	45 000	MR 148	MR 148 ZZ	VV DD	9.6	9.2	12.4	12.8	0.2	0.15	1.86	2.16					
	16	4	5	0.2	0.2	1 610	710	164	73	36 000	28 000	43 000	688 A	688 A ZZ1	VV DD	9.6	10.2	14.4	14.2	0.2	0.2	3.12	4.02					
	19	6	6	0.3	0.3	2 240	910	228	93	36 000	28 000	43 000	698	698 ZZ	VV DD	10.0	10.0	17.0	16.5	0.3	0.3	7.23	7.18					
	22	7	7	0.3	0.3	3 300	1 370	335	140	34 000	28 000	40 000	608	608 ZZ	VV DD	10.0	10.5	20.0	19.0	0.3	0.3	12.1	12.2					
9	17	4	5	0.2	0.2	1 330	665	136	68	36 000	24 000	43 000	689	689 ZZ1	VV DD	10.6	11.5	15.4	15.2	0.2	0.2	3.53	4.43					
	20	6	6	0.3	0.3	1 720	840	175	86	34 000	24 000	40 000	699	699 ZZ1	VV DD	11.0	12.0	18.0	17.2	0.3	0.3	8.45	8.33					
	24	7	7	0.3	0.3	3 350	1 430	340	146	32 000	24 000	38 000	609	609 ZZ	VV DD	11.0	12.0	22.8	20.5	0.3	0.3	14.5	14.7					
	26	8	8	(0.6)	(0.6)	4 550	1 970	465	201	28 000	22 000	34 000	629	629 ZZ	VV DD	11.0	12.8	24.0	22.8	0.3	0.3	19.5	19.3					
	30	10	10	0.6	0.6	5 100	2 390	520	244	24 000	—	30 000	639	639 ZZ	VV	—	—	—	—	0.6	0.6	36.5	36					

Notes (1) The values in parentheses are not based on ISO 15.

(2) Actual dimensions of bore and outside diameter only.

Remarks 1. When using bearings with a rotating outer ring, please contact NSK if they are sealed or shielded.
 2. Bearings with double shields (ZZ, ZZ1) are also available with single shields (Z, Z1).
 3. Bearings with snap rings are also available, please contact NSK.