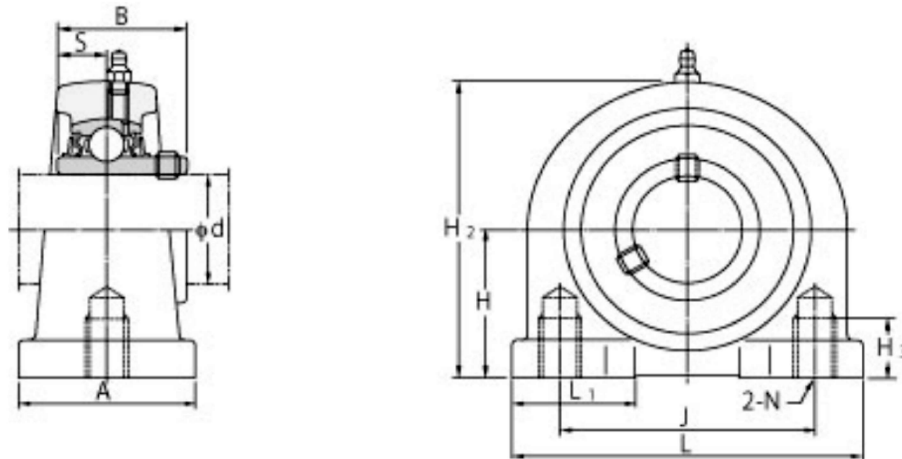


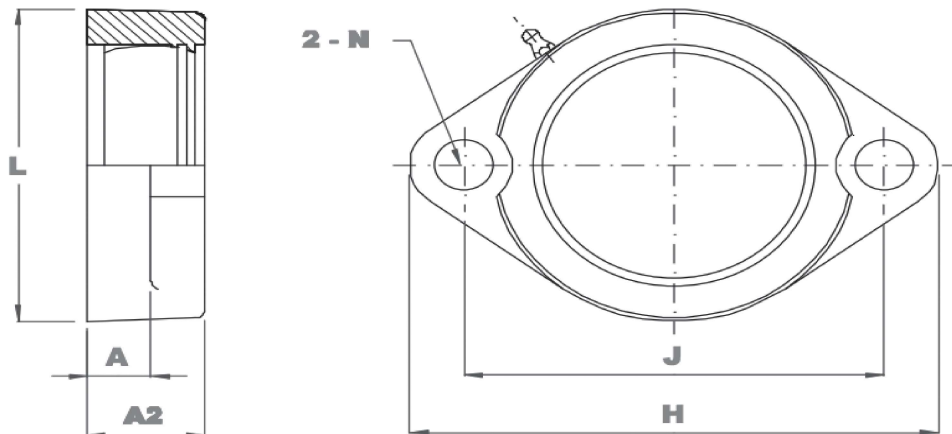
## PA200 Series



| Part No. | Basic Dimensions (mm) |      |     |    |    |     |    |      |      |    |     | N.W. (kg) |
|----------|-----------------------|------|-----|----|----|-----|----|------|------|----|-----|-----------|
|          | d                     | H    | L   | J  | A  | H2  | H3 | S    | B    | H3 | N   |           |
| PA204    | 20                    | 30.2 | 76  | 52 | 40 | 62  | 12 | 12.7 | 31   | 13 | M10 | 0.43      |
| PA205    | 25                    | 36.5 | 84  | 56 | 38 | 72  | 12 | 14.3 | 34.1 | 15 | M10 | 0.62      |
| PA206    | 30                    | 42.9 | 94  | 66 | 48 | 84  | 12 | 15.9 | 38.1 | 18 | M14 | 0.89      |
| PA207    | 35                    | 47.6 | 110 | 80 | 48 | 95  | 12 | 17.5 | 42.9 | 20 | M14 | 1.24      |
| PA208    | 40                    | 49.2 | 116 | 84 | 54 | 100 | 12 | 19   | 49.2 | 20 | M14 | 1.27      |
| PA209    | 45                    | 54.2 | 120 | 90 | 60 | 108 | 12 | 19   | 49.2 | 25 | M14 | 1.52      |
| PA210    | 50                    | 57.2 | 130 | 94 | 60 | 116 | 12 | 19   | 51.6 | 25 | M16 | 1.82      |

NB. *Finer Power Transmissions P/L is transitioning into NBR Bearings. Unless NBR Bearings are specifically requested, any remaining PFB/TNC stock will be supplied.*

## LF200 Series



| Part No. | Basic Dimensions (mm) |     |     |      |      |     |     | N.W. (kg) |
|----------|-----------------------|-----|-----|------|------|-----|-----|-----------|
|          | d                     | H   | L   | J    | A    | A2  | N   |           |
| LF203    | 17                    | 81  | 56  | 63.5 | 18   | 9.5 | M6  | 0.15      |
| LF204    | 20                    | 90  | 61  | 71.5 | 20   | 11  | M8  | 0.18      |
| LF205    | 25                    | 95  | 64  | 76   | 20   | 11  | M8  | 0.2       |
| LF206    | 30                    | 113 | 76  | 90.5 | 22.5 | 12  | M10 | 0.3       |
| LF207    | 35                    | 112 | 89  | 100  | 24   | 13  | M10 | 0.35      |
| LF208    | 40                    | 149 | 105 | 119  | 24   | 13  | M12 | 0.68      |

NB. *Finer Power Transmissions P/L is transitioning into NBR Bearings. Unless NBR Bearings are specifically requested, any remaining PFB/TNC stock will be supplied.*