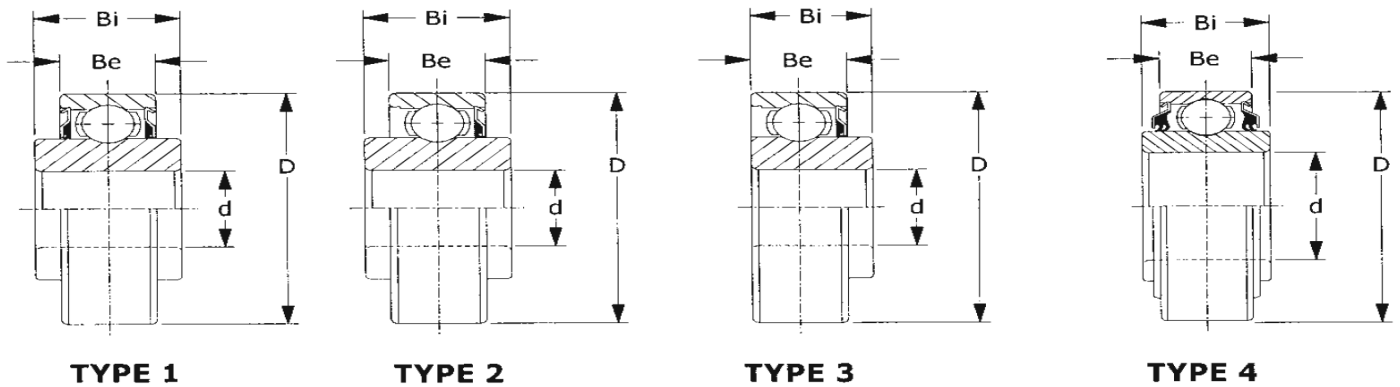
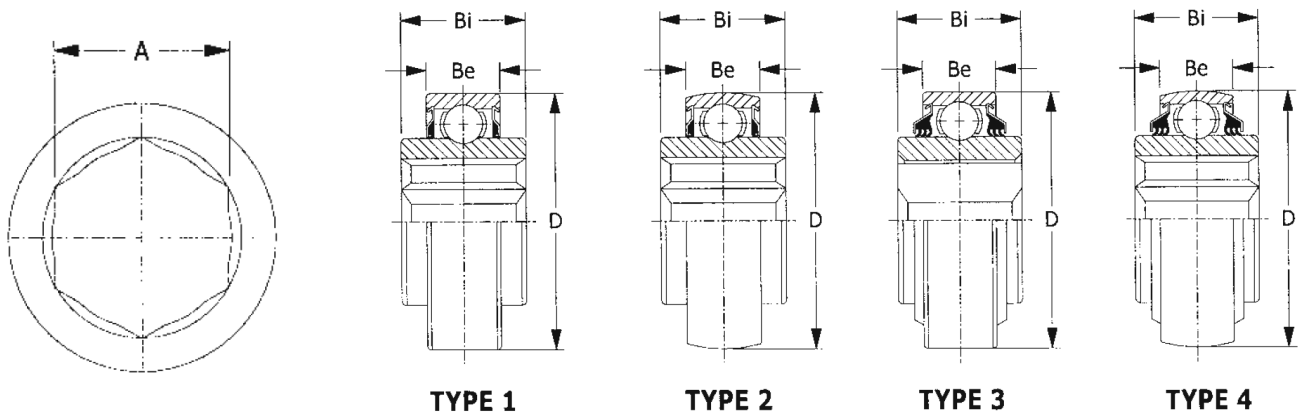


## Deep Groove Hex Bore Ball Bearings



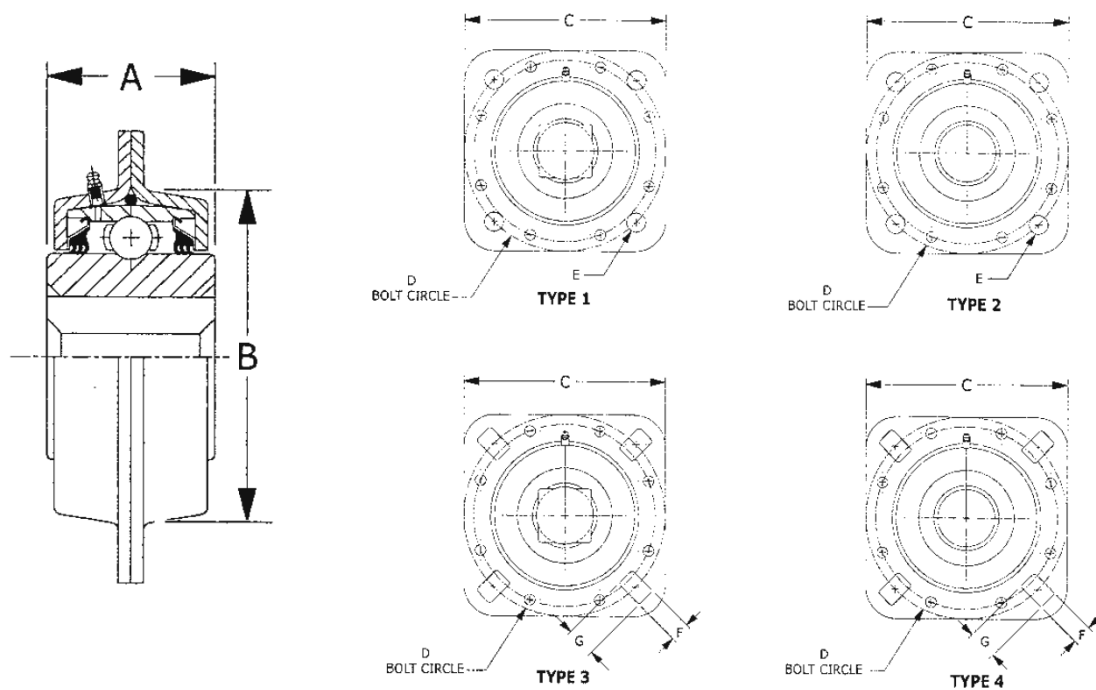
Part No.	Type	Hex Shaft Size	Unit of Measure	A	D	Be	Bi	Load Ratings		Wt. Lbs.
								Dynamic	Static	
202KRR3	1	9/16"	mm	0.563	1.378	0.433	0.512	2.16	1	0.12
			Inch	14.3	35	11	13			
204KRR2	1	11/16"	mm	0.695	1.8504	0.551	0.825	2.9	1.41	0.32
			Inch	17.653	47	14	20.955			
205KRR2	1	7/8"	mm	0.876	2.0472	0.591	1	3.15	1.61	0.44
			Inch	22.25	52	15	25.4			
205KRRB2	2	7/8"	mm	0.876	2.0472	0.591	1	3.15	1.61	0.44
			Inch	22.25	52	15	25.4			
206KRRB3	2	1 1/8"	mm	1.126	2.4409	0.63	0.945	4.37	2.32	0.75
			Inch	28.6	62	16	24			
206KRRB6	2	1"	mm	1.001	2.4409	0.63	0.945	4.37	2.32	0.75
			Inch	25.425	62	16	24			
206KRRB9	2	1"	mm	1.001	2.4409	0.63	0.945	4.37	2.32	0.75
			Inch	25.425	62	16	24			
207KRRB9	2	1 1/8"	mm	1.126	2.8346	0.669	1.484	5.77	3.15	1
			Inch	28.6	72	17	37.694			
207KRRB12	2	1 1/8"	mm	1.126	2.8346	0.669	0.984	5.77	3.15	0.87
			Inch	28.6	72	17	25			
209KRRB2	2	1 1/2"	mm	1.501	3.3465	0.748	1.181	7.35	4.15	1.27
			Inch	38.125	85	19	30			

## Plough Bearings - Hex Bore Non Relubricable



Part No.	Type		d	A	D	Be	Bi	Load Ratings		Wt. Lbs.
								Dynamic	Static	
W208KRRB5	2	Inch	1-1/8	1.376	3.1496	0.827	1.438	7.34	3.65	1.31
		mm		34.95	80	21	1.438			
W208KRRB6	2	Inch	1 3/8	1.376	3.1496	0.827	1.438	7.34	3.65	1.31
		mm		34.95	80	21	1.438			

## Plough Bearings - Disc Harrow Units



Part No.	Type	Shaft Diameter	A	B (Min Frame Opening)	C	D	E	F	G
DHU40S-211	1	41.00SQ	55.56		5.500	5.500	0.531		
DHU30S-209	3	1 1/8SQ	1.687	4.000	5.000	5.000		0.531	0.687
DHU1-3/4R-209	3	1 1/4SQ	1.687	4.000	5.000	5.000		0.531	0.687
DHU1-1/2S-211	3	1 1/2SQ	2.000	4.500	5.500	5.500		0.531	0.687
DHU2-3/16R-211	2	2 3/16RD	2.187	4.500	5.500	5.500	0.531		