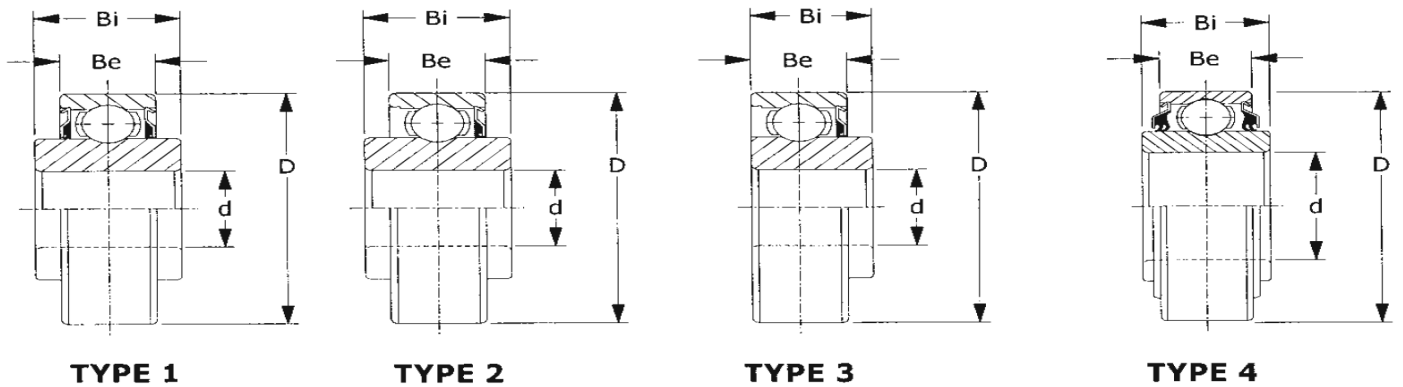
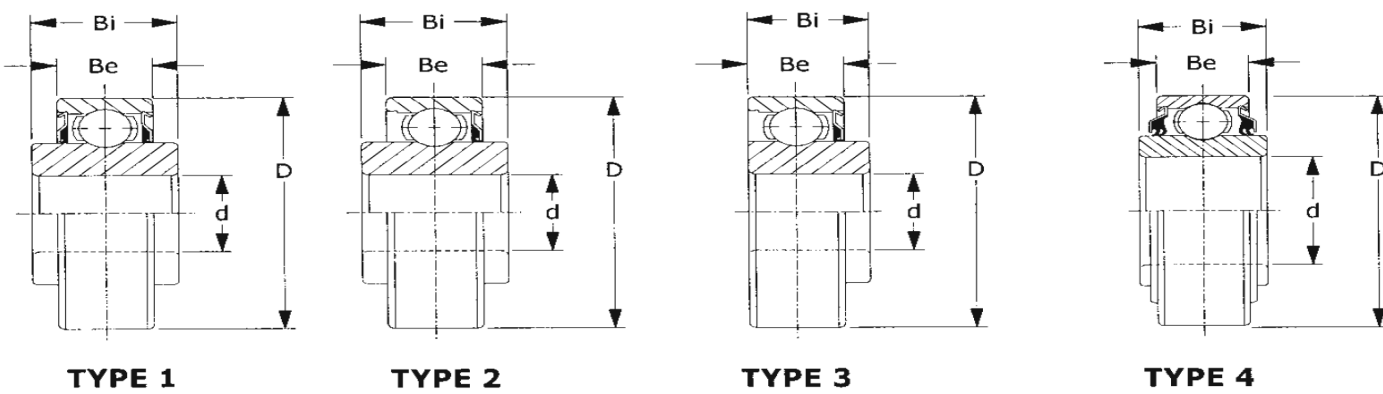


## Deep Groove Hex Bore Ball Bearings



Part No.	Type	Hex Shaft Size	Unit of Measure	A	D	Be	Bi	Load Ratings		Wt. Lbs.
								Dynamic	Static	
202KRR3	1	9/16"	mm	0.563	1.378	0.433	0.512	2.16	1	0.12
			Inch	14.3	35	11	13			
204KRR2	1	11/16"	mm	0.695	1.8504	0.551	0.825	2.9	1.41	0.32
			Inch	17.653	47	14	20.955			
205KRR2	1	7/8"	mm	0.876	2.0472	0.591	1	3.15	1.61	0.44
			Inch	22.25	52	15	25.4			
205KRRB2	2	7/8"	mm	0.876	2.0472	0.591	1	3.15	1.61	0.44
			Inch	22.25	52	15	25.4			
206KRRB3	2	1 1/8"	mm	1.126	2.4409	0.63	0.945	4.37	2.32	0.75
			Inch	28.6	62	16	24			
206KRRB6	2	1"	mm	1.001	2.4409	0.63	0.945	4.37	2.32	0.75
			Inch	25.425	62	16	24			
206KRRB9	2	1"	mm	1.001	2.4409	0.63	0.945	4.37	2.32	0.75
			Inch	25.425	62	16	24			
207KRRB9	2	1 1/8"	mm	1.126	2.8346	0.669	1.484	5.77	3.15	1
			Inch	28.6	72	17	37.694			
207KRRB12	2	1 1/8"	mm	1.126	2.8346	0.669	0.984	5.77	3.15	0.87
			Inch	28.6	72	17	25			
209KRRB2	2	1 1/2"	mm	1.501	3.3465	0.748	1.181	7.35	4.15	1.27
			Inch	38.125	85	19	30			

## Deep Groove Non Standard Ball Bearings



Part No.	Type	Unit of Measure	d	D	Bi	Be	Load	Ratings	Wt. Lbs.
							Dynamic	Static	
203KRR2	1	mm	0.64	1.5748	0.72	0.4724	2.16	889	0.16
		Inch	16.26	40	18.288	12			
203KRR3	1	mm	0.628	2	0.5906	0.5906	2.16	889	0.16
		Inch	15.91	50.8	15	15			
203KRR5	1	mm	0.515	1.5748	0.72	4.724	2.16	889	0.22
		Inch	13.081	40	18.288	12			
205KRP2	3	mm	0.756	2.0472	0.831	0.9606	3.15	1.61	0.44
		Inch	19.202	52	21.107	15			
205PPB7	2	mm	0.9375	2.0472	1.375	0.9606	3.15	1.61	0.44
		Inch	23.813	52	34.925	15			
206KRR13	2	mm	0.75	2.441	0.623	0.945	4.37	2.32	0.75
		Inch	19.05	62	16	24			
208NPPB5	5	mm	1.438	3.1496	0.8661	0.8661	7.34	3.65	1.04
		Inch	36.525	80	22	22			
5203KYY2	2*	mm	0.64	1.5748	1.737	1.5402			
		Inch	16.256	40	44.12	39.12			