

## H2 Series

ADAPTERS	d	d1	B1	d3	N.W.(kg)	Matched Locking nut	Matched Locking washer	Matched Ball Bearing
H206	30	25	27	45	0.10	KM06	MB06	1206K
H207	35	30	29	52	0.13	KM07	MB07	1207K
H208	40	35	31	58	0.17	KM08	MB08	1208K
H209	45	40	33	65	0.23	KM09	MB09	1209K
H210	50	45	35	70	0.27	KM10	MB10	1210K
H211	55	50	37	75	0.31	KM11	MB11	1211K
H212	60	55	38	80	0.35	KM12	MB12	1212K
H213	65	60	40	85	0.40	KM13	MB13	1213K
H214	70	60	41	92	0.55	KM14	MB14	1214K
H215	75	65	43	98	0.71	KM15	MB15	1215K

## H3 Series

ADAPTERS	d	d1	B1	d3	N.W. (kg)	Matched Locking nut	Matched Locking washer	Matched Ball Bearing	Matched Roller Bearing		
H306	30	25	31	45	0.11	KM06	MB06	1306K	2206K	21306K	
H307	35	30	35	52	0.14	KM07	MB07	1307K	2207K	21307K	
H308	40	35	36	58	0.19	KM08	MB08	1308K	2208K	21308K	22208K
H309	45	40	39	65	0.25	KM09	MB09	1309K	2209K	21309K	22209K
H310	50	45	42	70	0.30	KM10	MB10	1310K	2210K	21310K	22210K
H311	55	50	45	75	0.35	KM11	MB11	1311K	2211K	21311K	22211K
H312	60	55	47	80	0.39	KM12	MB12	1312K	2212K	21312K	22212K
H313	65	60	50	85	3.46	KM13	MB13	1313K	2213K	21313K	22213K
H314	70	60	52	92	0.72	KM14	MB14	1314K	2214K	21314K	22214K
H315	75	65	55	98	0.83	KM15	MB15	1315K	2215K	21315K	22215K
H316	80	70	59	105	1.03	KM16	MB16	1316K	2216K	21316K	22216K
H317	85	75	63	110	1.18	KM17	MB17	1317K	2217K	21317K	22217K
H318	90	80	65	120	1.37	KM18	MB18	1318K	2218K	21318K	22218K
H319	95	85	68	125	1.56	KM19	MB19	1319K	2219K	21319K	22219K
H320	100	90	71	130	1.69	KM20	MB20	1320K	2220K	21320K	22220K
H322	110	100	77	145	2.18	KM22	MB22	1322K	2222K	21322K	22222K



## H23 Series

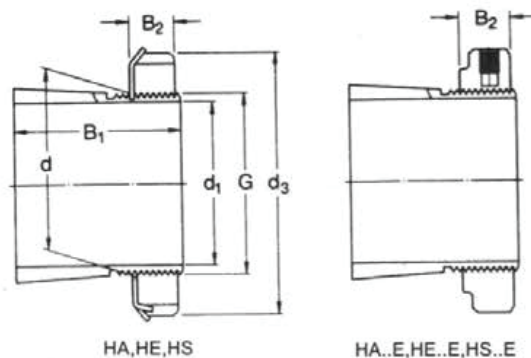
ADAPTERS	d	d1	B1	d3	N.W. (kg)	Matched Locking nut	Matched Locking washer	Matched Ball Bearing	Matched Roller Bearing
H2305	25	20	35	38	0.09	KM05	MB05	2305K	
H2306	30	25	38	45	0.13	KM06	MB06	2306K	
H2307	35	30	43	52	0.17	KM07	MB07	2307K	
H2308	40	35	46	58	0.22	KM08	MB08	2308K	22308K
H2309	45	40	50	65	1.28	KM09	MB09	2309K	22309K
H2310	50	45	55	70	0.36	KM10	MB10	2310K	22310K
H2311	55	50	59	75	0.42	KM11	MB11	2311K	22311K
H2312	60	55	62	80	0.48	KM12	MB12	2312K	22312K
H2313	65	60	65	85	0.56	KM13	MB13	2313K	22313K
H2314	70	60	68	92	0.90	KM14	MB14	2314K	22314K
H2315	75	65	73	98	1.05	KM15	MB15	2315K	22315K
H2316	80	70	78	105	1.28	KM16	MB16	2316K	22316K
H2317	85	75	82	110	1.45	KM17	MB17	2317K	22317K
H2318	90	80	86	120	1.69	KM18	MB18	2318K	22318K
H2319	95	85	90	125	1.92	KM19	MB19	2319K	22319K
H2320	100	90	97	130	2.16	KM20	MB20	2320K	22320K
H2322	110	100	105	145	2.74	KM22	MB22	2322K	22322K
H2324	120	110	112	155	3.19	KM24	MB24	2324K	22324K
H2326	130	115	121	165	4.60	KM26	MB26	2326K	22326K
H2328	140	125	131	180	5.55	KM28	MB28	2328K	22328K
H2330	150	135	139	195	6.63	KM30	MB30	2330K	22330K
H2332	160	140	147	210	9.14	KM32	MB32	2332K	22332K
H2334	170	150	154	220	10.20	KM34	MB34	2334K	22334K

## H30 Series

ADAPTERS	d	d1	B1	d3	N.W.(kg)	Matched Locking nut	Matched Locking washer	Matched Roller Bearing
H3024	120	110	72	145	1.93	KML24	MBL24	23024K
H3026	130	115	80	155	2.85	KML26	MBL26	23026K
H3028	140	125	82	165	3.16	KML28	MBL28	23028K
H3030	150	135	87	180	3.89	KML30	MBL30	23030K
H3032	160	140	93	190	5.21	KML32	MBL32	23032K
H3034	170	150	101	200	5.99	KML34	MBL34	23034K
H3036	180	160	109	210	6.83	KML36	MBL36	23036K
H3038	190	170	112	220	7.45	KML38	MBL38	23038K

## H31 Series

ADAPTERS	d	d1	B1	d3	N.W. (kg)	Matched Locking nut	Matched Locking washer	Matched Roller Bearing	
H3120	100	90	76	130	1.70	KM20	MB20	23120K	
H3122	110	100	81	145	2.25	KM22	MB22	23122K	22222K
H3124	120	110	88	155	2.64	KM24	MB24	23124K	22224K
H3126	130	115	92	165	3.66	KM26	MB26	23126K	22226K
H3128	140	125	97	180	4.34	KM28	MB28	23128K	22228K
H3130	150	135	111	195	5.52	KM30	MB30	23130K	22230K
H3132	160	140	119	210	7.67	KM32	MB32	23132K	22232K
H3134	170	150	122	220	8.38	KM34	MB34	23134K	22234K



## HE2 Series

ADAPTERS	d1	d	d3	B1	N.W.(kg)	B2	Matched Locking nut	Matched Locking washer
HE206	25.400	30	45	27	0.08	8	KM06	MB06
HE207	28.575	35	52	29	0.14	9	KM07	MB07
HE208	31.750	40	58	31	0.19	10	KM08	MB08
HE209	38.100	45	65	33	0.20	11	KM09	MB09
HE210	44.450	50	70	35	0.26	12	KM10	MB10
HE211	50.800	55	75	37	0.26	12.5	KM11	MB11
HE212	53.975	60	80	38	0.35	13	KM12	MB12
HE213	57.150	65	85	40	0.44	14	KM13	MB13
HE215	63.500	75	98	43	0.70	15	KM15	MB15