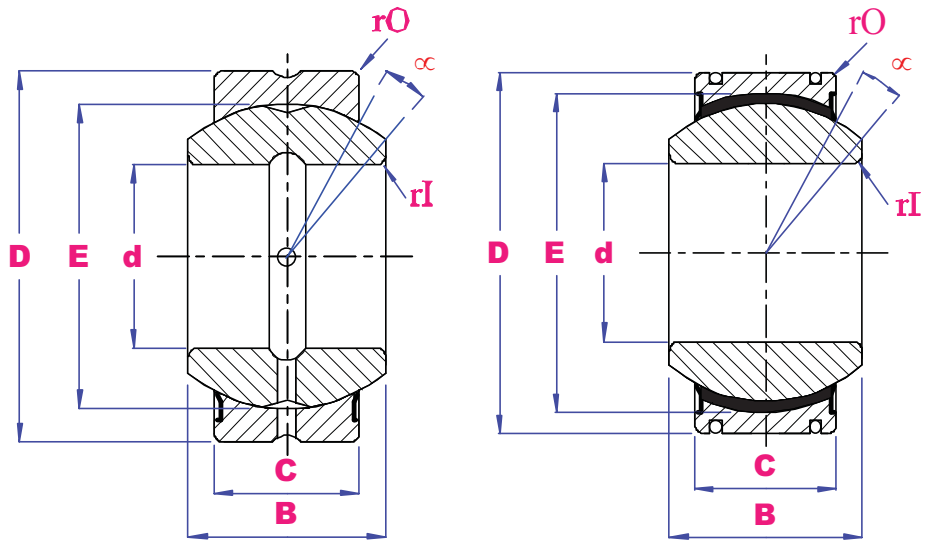
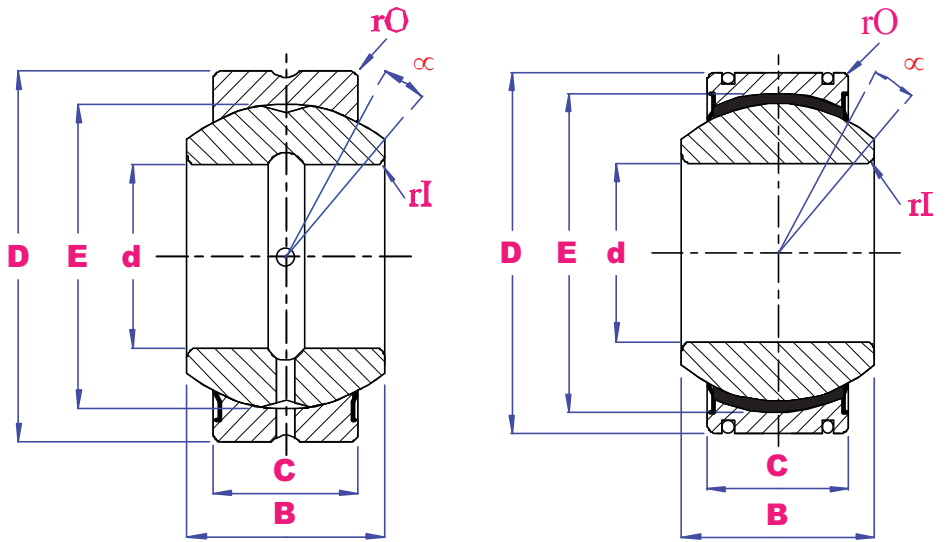


SPHERICAL
PLAIN
BEARINGS
4 - 10MM ID



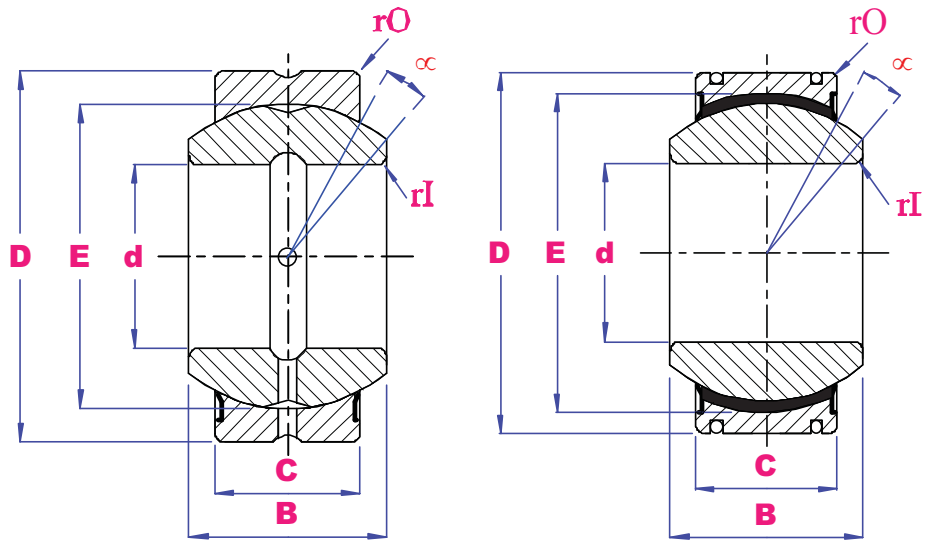
PART NO	d mm	D mm	B mm	C mm	E mm	r min	α deg	load		Wgt kg
								DkN	SkN	
GE4E	4	12	5	3	8	0.3	16	2	10	0.003
GE4C		12	5	3	8	0.3	16	2.1	5.4	0.003
GEG4E		14	7	4	10	0.3	20	3.4	17	0.005
GEG4C		14	7	4	10	0.3	20	3.6	9.1	0.005
GEBJ5S	5	13	8	6	11.112	0.3	13	3.2	9	0.007
GEBJ5C		13	8	6	11.112	0.3	13	6	15	0.007
GE5E		14	6	4	10	0.3	13	3.4	17	0.005
GE5C		14	6	4	10	0.3	13	3.6	9.1	0.005
GEG5E		16	9	5	10	0.3	21	5.5	27	0.008
GEG5C		16	9	5	13	0.3	21	5.8	14	0.008
GEBK5S		16	8	6	11.112	0.3	13	3.3	7.8	0.009
GE6E	6	14	6	4	10	0.3	13	3.4	17	0.004
GE6C		14	6	5	13	0.3	13	5.8	14	0.004
GEBJ6S		16	9	6.75	12.7	0.3	13	4.1	12	0.010
GEBJ6C		16	9	6.75	12.7	0.3	13	7.7	19	0.010
GEG6E		16	9	5	13	0.3	21	5.5	27	0.006
GEG6C		16	9	5	13	0.3	21	5.8	14	0.006
GEBK6S		18	9	6.75	12.7	0.3	13	4.3	9.8	0.013
GE8E	8	16	8	5	13	0.3	15	5.5	27	0.008
GE8C		16	8	5	13	0.3	15	5.8	14	0.008
GEBJ8S		19	12	9	15.88	0.3	13	6.5	20	0.016
GEBJ8C		19	12	9	15.88	0.3	13	13	32	0.016
GEG8E		19	11	6	16	0.3	21	8.1	40	0.014
GEG8C		19	11	6	16	0.3	21	8.6	21	0.014
GEBK8S		22	12	9	15.88	0.3	14	6.8	16	0.024
GE10E	10	19	9	6	16	0.3	12	8.1	40	0.011
GE10C		19	9	6	16	0.3	12	8.6	21	0.011
GEBJ10S		22	14	10.5	19.05	0.6	13	9.6	28	0.031
GEBJ10C		22	14	10.5	19.05	0.6	13	18	45	0.031
GEG10E		22	12	7	18	0.3	18	10	53	0.021
GEG10C		22	12	7	18	0.3	18	11	28	0.021
GEBK10S		26	14	10.5	19.05	0.6	14	10	23	0.039

SPHERICAL
PLAIN
BEARINGS
12 - 16MM ID



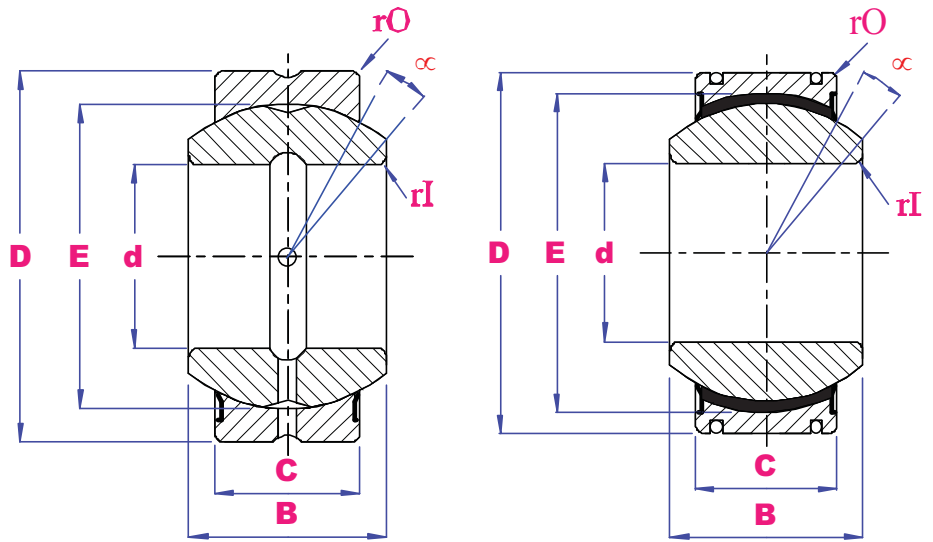
PART NO	d mm	D mm	B mm	C mm	E mm	r min	α deg	load		Wgt kg
								DkN	SkN	
GE12E	12	22	10	7	18	0.3	10	10	53	0.015
GE12C		22	10	7	18	0.3	10	11	28	0.015
GEEW12ES		22	12	7	18	0.3	4	10	53	0.022
GEF12ES		22	11	9	18	0.5	7	13	68	0.019
GEBJ12S		26	16	12	22.23	0.6	13	12	37	0.055
GEBJ12C		26	16	12	22.23	0.6	13	24	60	0.055
GEG12ES		26	15	9	22	0.3	18	16	84	0.033
GEG12C		26	15	9	22	0.3	18	18	45	0.033
GEBK12S		30	16	12	22.23	0.6	13	13	31	0.058
GEBJ14S		14	28	19	13.5	25.4	0.6	15	16	49
GEBJ14C	28		19	13.5	25.4	0.6	15	31	77	0.078
GEBK14S	34		19	13.5	25.4	0.6	16	17	40	0.084
GE15ES-2RS	15	26	12	9	22	0.3	8	16	84	0.027
GE15C		26	12	9	22	0.3	8	18	45	0.027
GE15ET-2RS		26	12	9	22	0.3	8	25	59	0.027
GE15ET/X		26	12	9	22	0.3	8	25	59	0.027
GEEW15ES		26	15	9	22	0.3	5	16	84	0.031
GEF15ES		26	13	11	22	0.5	6	20	102	0.028
GEG15ES-2RS		30	16	10	25	0.3	16	21	106	0.049
GEG15C		30	16	10	25	0.3	16	22	56	0.049
GEG15ET-2RS		30	16	10	25	0.3	16	32	75	0.049
GEEW16ES	16	28	16	9	23	0.3	4	17	85	0.035
GEBJ16S		32	21	15	28.58	0.6	15	20	61	0.095
GEBJ16C		32	21	15	28.58	0.6	15	38	96	0.095
GEBK16S		38	21	15	28.58	0.6	15	21	50	0.111

SPHERICAL
PLAIN
BEARINGS
17 - 22MM ID



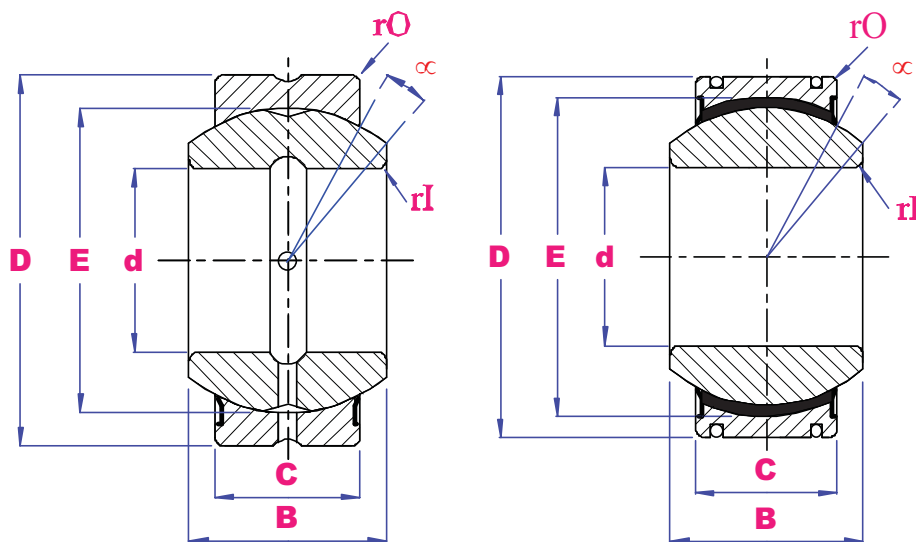
PART NO	d mm	D mm	B mm	C mm	E mm	r min	α deg	load		Wgt kg
								DkN	SkN	
GE17ES-2RS	17	30	14	10	25	0.3	10	21	106	0.041
GE17C		30	14	10	25	0.3	10	22	56	0.041
GE17ET-2RS		30	14	10	25	0.3	10	32	75	0.040
GE17ET-X		30	14	10	25	0.3	10	32	75	0.040
GEEW17ES		30	17	10	25	0.3	7	21	106	0.044
GEG17ES-2RS		35	20	12	29	0.3	19	30	146	0.083
GEG17C		35	20	12	29	0.3	19	31	78	0.083
GEG17ET-2RS		35	20	12	29	0.3	19	45	104	0.083
GEBJ18S		18	35	23	16.5	31.75	0.6	15	25	74
GEBJ18C	35		23	16.5	31.75	0.6	15	47	117	0.14
GEBK18S	42		23	16.5	31.75	0.6	15	26	61	0.16
GE20ES-2RS	20	35	16	12	29	0.3	9	30	146	0.066
GE20C		35	16	12	29	0.3	9	31	78	0.066
GE20ET-2RS		35	16	12	29	0.3	10	45	104	0.064
GE20ET/X		35	16	12	29	0.3	10	45	104	0.064
GEEM20ES-2RS		35	24	12	29	0.3	6	30	146	0.073
GEEW20ES		35	20	12	29	0.3	4	30	146	0.071
GEF20ES		32	16	14	28	0.5	4	33	166	0.053
GEBJ20S		40	25	18	34.93	0.6	15	30	89	0.18
GEBJ20C		40	25	18	34.93	0.6	15	56	141	0.18
GEG20ES-2RS		42	25	16	35.5	0.3	17	48	240	0.153
GEG20C		42	25	16	35.5	0.3	17	51	127	0.153
GEG20ET-2RS		42	25	16	35.5	0.3	17	85	204	0.153
GEBK20S		46	25	18	34.93	0.6	15	31	73	0.21
GEF22ES		22	37	19	16	32	0.5	6	43	217
GEBJ22S	42		28	20	38.1	0.6	15	36	108	0.21
GEBJ22C	42		28	20	38.1	0.6	15	68	171	0.21
GEBK22S	50		28	20	38.1	0.6	15	38	88	0.26

SPHERICAL
PLAIN
BEARINGS
25 - 30MM ID



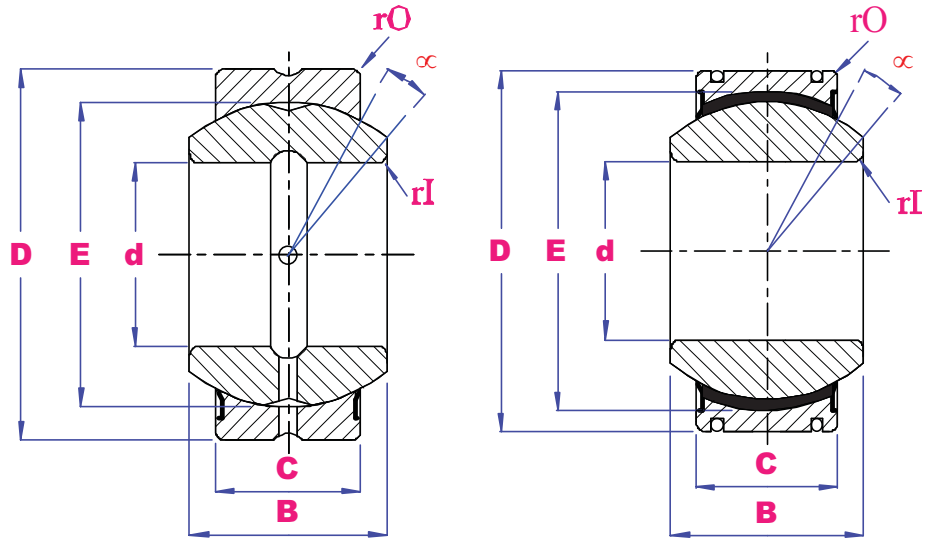
PART NO	d mm	D mm	B mm	C mm	E mm	r min	α deg	load		Wgt kg
								DkN	SkN	
GE25ES-2RS	25	42	20	16	35.5	0.6	7	48	240	0.119
GE25C		42	20	16	35.5	0.3	7	51	127	0.119
GE25ET-2RS		42	20	16	35.5	0.6	7	85	204	0.119
GE25ET/X		42	20	16	35.5	0.6	7	85	204	0.119
GEEM25ES-2RS		42	29	16	35.5	0.6	4	48	240	0.13
GEEW25ES		42	25	16	35.5	0.6	4	48	240	0.131
GEF25ES		42	21	18	36	0.5	5	55	275	0.116
GEBJ25S		47	31	22	42.86	0.6	15	45	130	0.35
GEBJ25C		47	31	22	42.86	0.6	15	84	212	0.35
GEG25ES-2RS		47	28	18	40.7	0.6	17	62	310	0.203
GEG25C		47	28	18	40.7	0.6	17	65	166	0.203
GEG25ET-2RS		47	28	18	40.7	0.6	17	110	263	0.203
GEBK25S		56	31	22	42.86	0.6	15	47	110	0.39
GEK25XS-2RS		68	40	28	50	1.0	19	117	590	0.707
GEBK28S	28	62	35	25	47.63	0.6	15	59	138	0.53
GE30ES-2RS	30	47	22	18	40.7	0.6	6	62	310	0.153
GE30C		47	22	18	40.7	0.6	6	65	166	0.163
GE30ET-2RS		47	22	18	40.7	0.6	6	110	263	0.153
GE30ET/X		47	22	18	40.7	0.6	6	110	263	0.153
GEEM30ES-2RS		47	30	18	40.7	0.6	4	62	310	0.17
GEEW30ES		47	30	18	40.7	0.6	4	62	310	0.168
GEF30ES		50	27	23	45	1.0	6	87	459	0.225
GEBJ30S		55	37	25	50.8	0.6	15	61	178	0.56
GEBJ30C		55	37	25	50.8	0.6	15	113	283	0.56
GEG30ES-2RS		55	32	20	47	0.6	17	79	399	0.304
GEG30C		55	32	20	47	0.6	17	83	212	0.304
GEG30ET-2RS		55	32	20	47	0.6	17	140	338	0.304
GEBK30S		66	37	25	50.8	0.6	17	63	148	0.61
GEK30XS-2RS		70	47	32	60	1.0	19	163	813	0.814

SPHERICAL
PLAIN
BEARINGS
32- 45MM ID



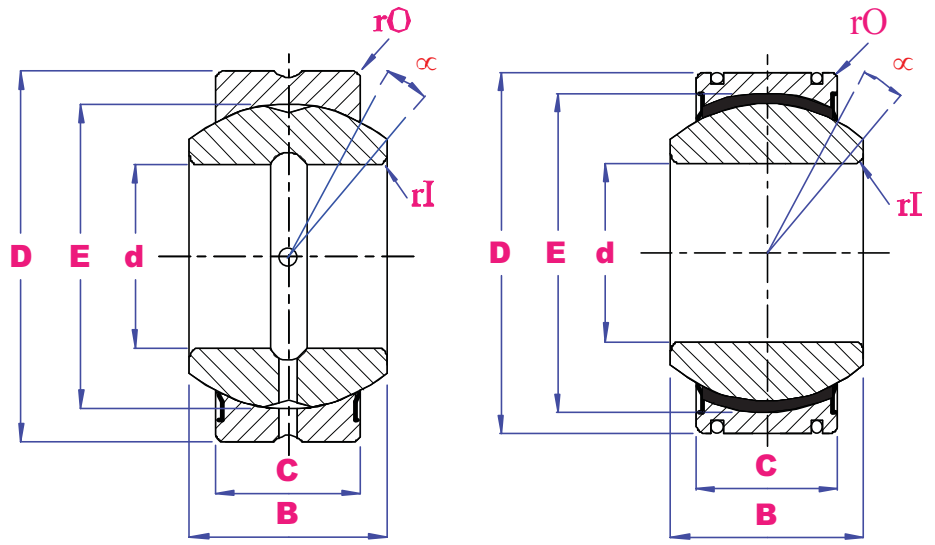
PART NO	d mm	D mm	B mm	C mm	E mm	r min	α deg	load		Wgt kg
								DkN	SkN	
GEEW32ES	32	52	32	18	43	0.6	4	65	328	0.182
GE35ES-2RS	35	55	25	20	47	0.6	6	79	399	0.233
GE35ET-2RS		55	25	20	47	0.6	6	140	338	0.233
GE35ET/X		55	25	20	47	0.6	6	140	338	0.233
GEEM35ES-2RS		55	35	20	47	0.6	4	79	399	0.25
GEEW35ES		55	35	20	47	0.6	4	79	399	0.253
GEF35ES		55	30	26	50	1.0	5	110	552	0.302
GEG35ES-2RS		62	35	22	53	0.6	16	99	495	0.408
GEG35ET-2RS		62	35	22	53	0.6	16	175	419	0.408
GEK35XS-2RS		80	54	38	70	1.0	17	226	1130	1.23
GE40ES-2RS		40	62	28	22	53	0.6	7	99	495
GE40ET-2RS	62		28	22	53	0.6	7	175	419	0.306
GE40ET/X	62		28	22	53	0.6	7	175	419	0.306
GEEM40ES-2RS	62		38	22	53	0.6	4	99	495	0.35
GEEW40ES	62		40	22	53	0.6	4	99	495	0.338
GEF40ES	62		33	28	55	1.0	6	130	654	0.375
GEG40ES-2RS	68		40	25	60	0.6	17	127	637	0.542
GEG40ET-2RS	68		40	25	60	0.6	17	225	540	0.542
GEK40XS-2RS	90		64	44	80	1.0	19	298	1490	1.83
GE45ES-2RS	45		68	32	25	60	0.6	7	127	637
GE45ET-2RS		68	32	25	60	0.6	7	225	540	0.427
GE45ET/X		68	32	25	60	0.6	7	225	540	0.427
GEEM45ES-2RS		68	40	25	60	0.6	4	127	637	0.49
GEEW45ES		68	45	25	60	0.6	4	127	637	0.481
GEF45ES		72	36	31	62	1.0	5	163	816	0.598
GEG45ES-2RS		75	43	28	66	0.6	15	156	780	0.713
GEG45ET-2RS		75	43	28	66	0.6	15	275	665	0.713
GEK45XS-2RS		100	72	52	90	1.0	17	398	1990	2.56

SPHERICAL
PLAIN
BEARINGS
50- 70MM ID



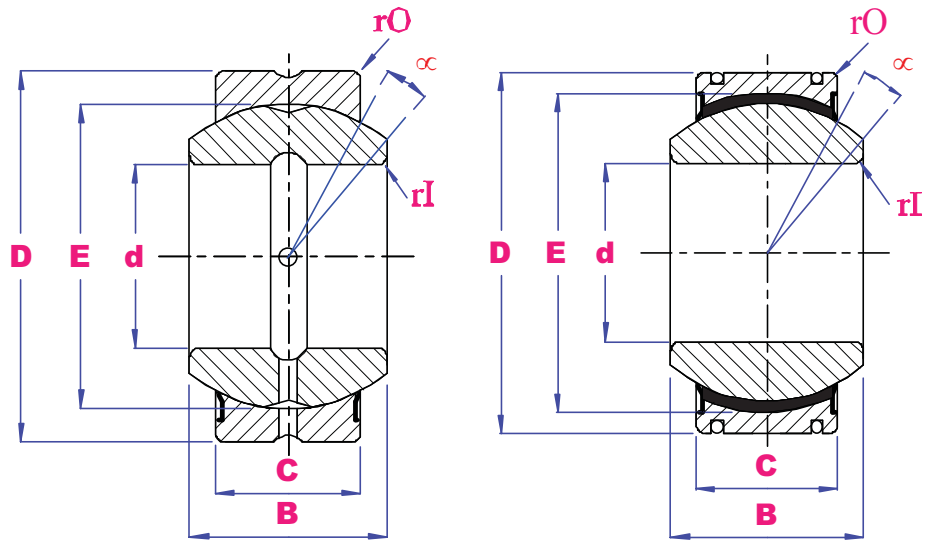
PART NO	d mm	D mm	B mm	C mm	E mm	r min	α deg	load		Wgt kg
								DkN	SkN	
GE50ES-2RS	50	75	35	28	66	0.6	6	156	780	0.546
GE50ET-2RS		75	35	28	66	0.6	6	275	665	0.546
GE50ET/X		75	35	28	66	0.6	6	275	665	0.546
GEEM50ES-2RS		75	43	28	66	0.6	4	156	780	0.60
GEEW50ES		75	50	28	66	0.6	4	156	780	0.558
GEF50ES		80	42	36	72	1.0	5	220	1100	0.869
GEG50ES-2RS		90	56	36	80	0.6	17	245	1220	1.14
GEG50ET-2RS		90	56	36	80	0.6	17	430	1030	1.14
GEK50XS-2RS		110	80	58	100	1.0	17	493	2450	3.43
GE55ES-2RS		55	85	40	32	74	1.0	7	200	1000
GE55ET-2RS	85		40	32	74	1.0	7	355	852	0.939
GE55ET/X	85		40	32	74	1.0	7	355	852	0.939
GEF55ES	90		47	40	80	1.0	6	272	1360	1.26
GEK55XS-2RS	125		90	64	110	1.0	19	598	2990	5.02
GE60ES-2RS	60	90	44	36	80	1.0	6	245	1220	1.04
GE60ET-2RS		90	44	36	80	1.0	6	430	1030	1.04
GE60ET/X		90	44	36	80	1.0	6	430	1030	1.04
GEEM60ES-2RS		90	54	36	80	1.0	3	245	1220	1.15
GEEW60ES		90	60	36	80	1.0	4	245	1220	1.15
GEF60ES		100	53	45	90	1.0	6	344	1720	1.72
GEG60ES-2RS		105	63	40	92	1.0	17	313	1560	2.05
GEG60ET-2RS		105	63	40	92	1.0	17	550	1320	2.05
GEK60XS-2RS		135	98	72	120	1.0	17	732	3660	6.93
GEEW63ES	63	95	63	36	83	1.0	4	253	1260	1.25
GEF65ES	65	105	55	47	94	1.0	5	375	1870	2.05
GE70ES-2RS	70	105	49	40	92	1.0	6	313	1560	1.55
GE70ET-2RS		105	49	40	92	1.0	6	550	1320	1.55
GE70ET/X		105	49	40	92	1.0	6	550	1320	1.55
GEEM70ES-2RS		105	65	40	92	1.0	4	313	1560	1.65
GEEW70ES		105	70	40	92	1.0	4	313	1560	1.71
GEF70ES		110	58	50	100	1.0	5	425	2125	2.23
GEG70ES-2RS		120	70	45	105	1.0	16	400	2000	3.01
GEG70ET-2RS		120	70	45	105	1.0	16	705	1700	3.01

SPHERICAL
PLAIN
BEARINGS
75 - 100MM ID



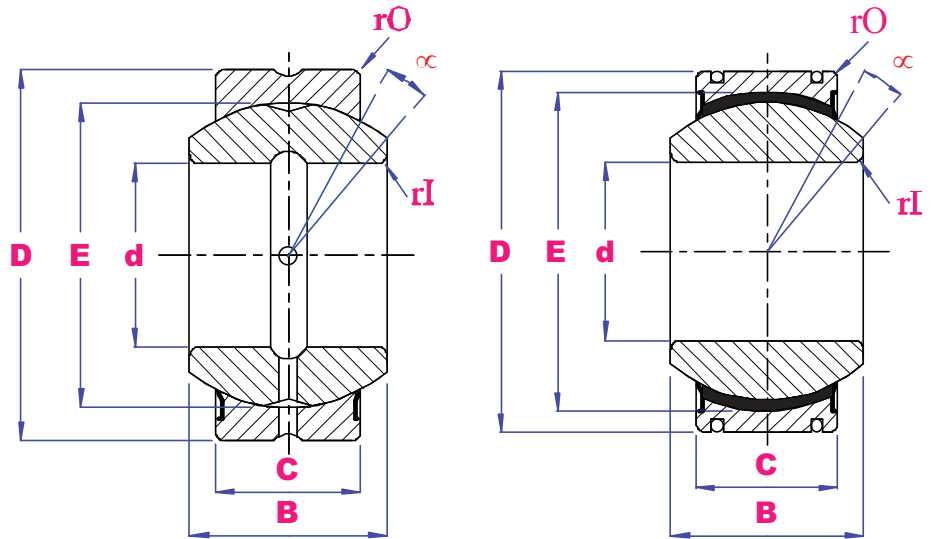
PART NO	d mm	D mm	B mm	C mm	E mm	r min	α deg	load		Wgt kg
								DkN	SkN	
GEF75ES	75	120	64	55	110	1.0	5	510	2570	3.01
GE80ES-2RS	80	120	55	45	105	1.0	6	400	2000	2.31
GE80ET-2RS		120	55	45	105	1.0	6	705	1700	2.31
GE80ET/X		120	55	45	105	1.0	6	705	1700	2.31
GEEM80ES-2RS		120	74	45	105	1.0	4	400	2000	2.5
GEEW80ES		120	80	45	105	1.0	4	400	2000	2.39
GEF80ES		130	70	60	120	1.0	5	610	3060	3.98
GEG80ES-2RS		130	75	50	115	1.0	14	488	2440	3.64
GEG80ET-2RS		130	75	50	115	1.0	14	860	2070	3.64
GEF85ES		85	135	74	63	125	1.0	6	669	3340
GE90ES-2RS	90	130	60	50	115	1.0	5	488	2440	2.75
GE90ET-2RS		130	60	50	115	1.0	5	860	2070	2.75
GE90ET/X		130	60	50	115	1.0	5	860	2070	2.75
GEEM90ES-2RS		130	82	50	115	1.0	4	488	2440	3.28
GEEW90ES		130	90	50	115	1.0	4	488	2440	3.21
GEF90ES		140	76	65	130	1.0	5	718	3590	4.72
GEG90ES-2RS		150	85	55	130	1.0	15	607	3030	5.22
GEG90ET-2RS		150	85	55	130	1.0	15	1070	2570	5.22
GEF95ES		95	150	82	70	140	1.0	5	833	4165
GE100ES-2RS	100	150	70	55	130	1.0	7	607	3030	4.45
GE100ET-2RS		150	70	55	130	1.0	7	1070	2570	4.45
GE100ET/X		150	70	55	130	1.0	7	1070	2570	4.45
GEEM100ES-2RS		150	90	55	130	1.0	4	607	3030	4.82
GEEW100ES		150	100	55	130	1.0	4	607	3030	4.79
GEF100ES		160	88	75	150	1.5	5	956	4780	7.43
GEG100ES-2RS		160	85	55	140	1.0	14	654	3270	6.05
GEG100ET-2RS		160	85	55	140	1.0	14	1150	2770	6.05

SPHERICAL
PLAIN
BEARINGS
110 - 180MM ID



PART NO	d mm	D mm	B mm	C mm	E mm	r min	α deg	load		Wgt kg
								DkN	SkN	
GE110ES-2RS	110	160	70	55	140	1.0	6	654	3270	4.82
GE110ET-2RS		160	70	55	140	1.0	6	1150	2770	4.82
GE110ET/X		160	70	55	140	1.0	6	1150	2770	4.82
GEEW110ES		160	110	55	140	1.0	4	654	3270	5.53
GEF110ES		170	93	80	160	1.5	5	1080	5440	8.54
GEG110ES-2RS		180	100	70	160	1.0	12	950	4750	9.68
GEG110ET-2RS		180	100	70	160	1.0	12	1680	4030	9.68
GEF115ES	115	180	98	85	165	1.5	5	1190	5960	10.3
GE120ES-2RS	120	180	85	70	160	1.0	6	950	4750	8.05
GE120XT-2RS		180	85	70	160	1.0	6	1680	4030	8.05
GE120XT/X		180	85	70	160	1.0	6	1680	4030	8.05
GEF120ES		190	105	90	175	1.5	6	1330	6690	12.4
GEG120ES-2RS		210	115	70	180	1.0	16	1070	5350	14.01
GEG120XT-2RS		210	115	70	180	1.0	16	1890	4530	14.01
GEEW125ES	125	180	125	70	160	1.0	4	950	4750	8.19
GEF130ES	130	200	110	95	185	1.5	5	1490	7460	13.8
GE140ES-2RS	140	210	90	70	180	1.0	7	1070	5350	11.03
GE140XT-2RS		210	90	70	180	1.0	7	1890	4530	11.03
GEG140ES-2RS		230	130	80	200	1.0	16	1360	6800	19.01
GEG140XT-2RS		230	130	80	200	1.0	16	2400	5760	19.01
GEF150ES	150	220	120	105	205	1.5	5	1820	9140	17.1
GE160ES-2RS	160	230	105	80	200	1.0	8	1360	6800	14.01
GE160XT-2RS		230	105	80	200	1.0	8	2400	5760	14.01
GEEW160ES		230	160	80	200	1.0	4	1360	6800	15.8
GEG160ES-2RS		260	135	80	225	1.0	16	1530	7650	24.70
GEG160XT-2RS		260	135	80	225	1.0	16	2700	6480	24.70
GE180ES-2RS	180	260	105	80	225	1.1	6	1530	7650	18.65
GE180XT-2RS		260	105	80	225	1.1	6	2700	6480	18.65
GEG180ES-2RS		290	155	100	250	1.0	14	2120	10600	35.90
GEG180XT-2RS		290	155	100	250	1.0	14	3750	9000	35.90

SPHERICAL
PLAIN
BEARINGS
200 - 320MM ID



PART NO	d mm	D mm	B mm	C mm	E mm	r min	α deg	load		Wgt kg
								DkN	SkN	
GE200ES-2RS	200	290	130	100	250	1.1	7	2120	10600	28.03
GE200XT-2RS		290	130	100	250	1.1	7	3750	9000	28.03
GEEW200ES		290	200	100	250	1.1	4	2120	10600	32.1
GEG200ES-2RS		320	165	100	275	1.1	15	2320	11600	45.28
GEG200XT-2RS		320	165	100	275	1.1	15	4120	9900	45.28
GE220ES-2RS	220	320	135	100	275	1.1	8	2320	11600	35.51
GE220XT-2RS		320	135	100	275	1.1	8	4120	9900	35.51
GEG220ES-2RS		340	175	100	300	1.1	16	2550	12700	51.12
GEG220XT-2RS		340	175	100	300	1.1	16	4500	10800	51.12
GE240ES-2RS	240	340	140	100	300	1.1	8	2550	12700	39.91
GE240XT-2RS		340	140	100	300	1.1	8	4500	10800	39.91
GEG240ES-2RS		370	190	110	325	1.1	15	3030	15190	65.12
GEG240XT-2RS		370	190	110	325	1.1	15	5360	12870	65.12
GEEW250ES	250	400	250	120	350	1.1	4	3750	17850	99.1
GE260ES-2RS	260	370	150	110	325	1.1	7	3030	15190	51.54
GE260XT-2RS		370	150	110	325	1.1	7	5360	12870	51.54
GEG260ES-2RS		400	205	120	350	1.1	15	3570	17850	82.44
GEG260XT-2RS		400	205	120	350	1.1	15	6300	15120	82.44
GE280ES-2RS	280	400	155	120	350	1.1	6	3570	17850	65.06
GE280XT-2RS		400	155	120	350	1.1	6	6300	15120	65.06
GEG280ES-2RS		430	210	120	375	1.1	15	3800	19100	97.21
GEG280XT-2RS		430	210	120	375	1.1	15	6750	16200	97.21
GE300ES-2RS	300	430	165	120	375	1.1	7	3800	19100	78.07
GE300XT-2RS		430	165	120	375	1.1	7	6750	13500	78.07
GEH300XT-2RS		430	212	200	390	1.1	2.0	11700	28080	118
GEH320XT-2RS	320	460	230	218	414	3.1	2.0	16240	32480	148
GEH320HC		460	230	218	414	3.1	2.0	9020	18040	148
GEEW320ES		520	320	160	450	1.1	4	6200	30500	225