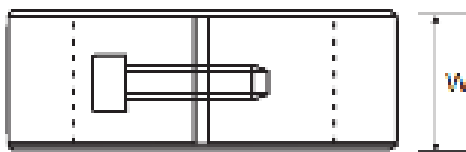
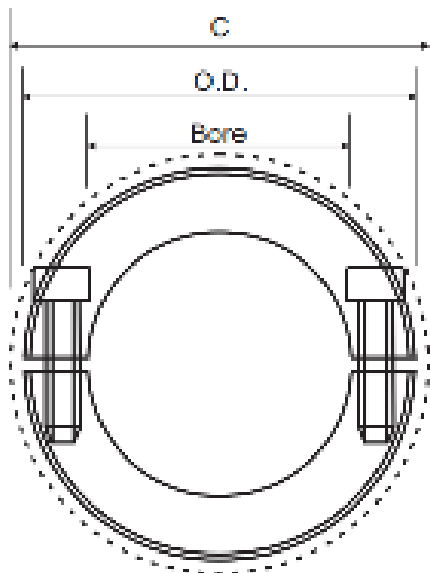


Shaft Collars

Two Piece Split (Clamp Type) Metric



Part No.	Bore (mm)	O.D. (mm)	C (mm)	W (mm)
FSC-6-SP	6.0	16.0	20.8	9.0
FSC-8-SP	8.0	18.0	22.4	9.0
FSC-10-SP	10.0	24.0	26.3	9.0
FSC-12-SP	12.0	28.0	32.0	11.0
FSC-14-SP	14.0	30.0	33.7	11.0
FSC-16-SP	16.0	34.0	39.3	13.0
FSC-20-SP	20.0	40.0	47.4	15.0
FSC-22-SP	22.0	42.0	49.5	15.0
FSC-25-SP	25.0	45.0	52.1	15.0
FSC-28-SP	28.0	48.0	54.7	15.0
FSC-30-SP	30.0	54.0	59.2	15.0
FSC-32-SP	32.0	54.0	59.2	15.0
FSC-35-SP	35.0	57.0	62.4	15.0
FSC-38-SP	38.0	60.0	65.6	15.0
FSC-40-SP	40.0	60.0	65.6	15.0
FSC-45-SP	45.0	73.0	80.1	19.0
FSC-50-SP	50.0	78.0	84.7	19.0

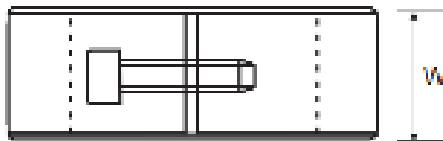
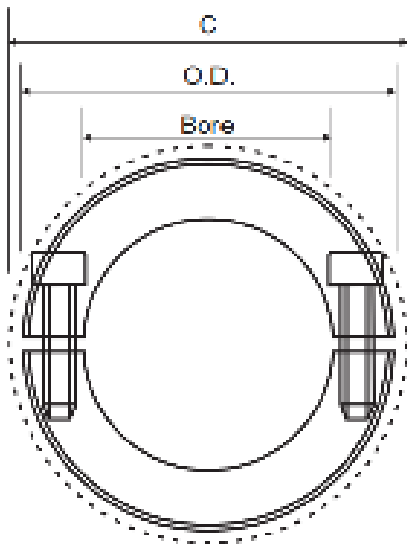
Features

- Does not mar the shaft.
- Single point faced.
- Available with keyways.
- Opposing screws available.
- Additional sizes available.

-Width tolerance:

All +.08 mm
 -.25 mm

"Why compete against your supplier when you can be our partner"



Part No.	Bore (mm)	O.D. (mm)	C (mm)	W (mm)
FSC-1/4-SP	0.2500	0.625	0.773	0.281
FSC-3/8-SP	0.3750	0.875	1.027	0.343
FSC-1/2-SP	0.5000	1.125	1.281	0.406
FSC-5/8-SP	0.6250	1.313	1.500	0.437
FSC-3/4-SP	0.7500	1.500	1.808	0.500
FSC-7/8-SP	0.8750	1.625	1.916	0.500
FSC-1-SP	1.0000	1.750	2.032	0.500
FSC-1-1/8-SP	1.1250	1.875	2.140	0.500
FSC-1-1/4-SP	1.2500	2.063	2.295	0.500
FSC-1-3/8-SP	1.3750	2.250	2.465	0.563
FSC-1-1/2-SP	1.5000	2.375	2.578	0.563
FSC-1-5/8-SP	1.6250	2.625	2.935	0.688
FSC-1-3/4-SP	1.7500	2.750	3.046	0.688
FSC-1-7/8-SP	1.8750	2.875	3.160	0.688
FSC-2-SP	2.0000	3.000	3.273	0.688

Features

- Does not mar the shaft.
- Single point faced.
- Available with keyways.
- Opposing screws available.
- Additional sizes available.

-Width tolerance:

All +.003"
 - .010"