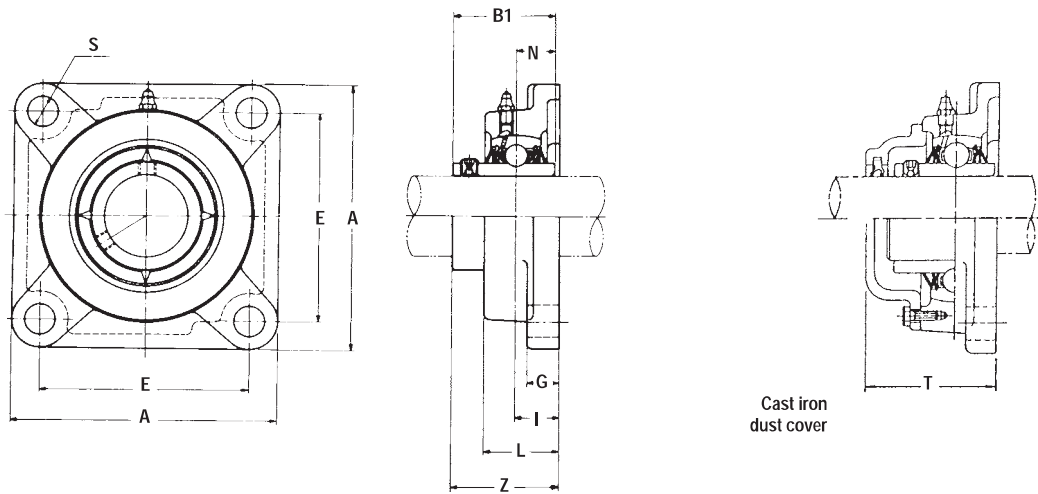


1

FLANGE UNITS

UCF3 Series heavy duty

Set screw locking



SHAFT DIA. d		UNIT No.	DIMENSIONS mm											BEARING No.	HOUSING No.	UNIT MASS kg
(mm)	(in)		A	E	I	G	L	S	Z	B1	N	Bolt	T			
25	7/8	UCF305-014 UCF305-015 UCF305 UCF305-100	110	80	16	13	29	16	39	38	15	M14	56	UC305-014 UC305-015 UC305 UC305-100	F305	1.1
	15/16															
	1															
30	1 1/8	UCF306-102 UCF306 UCF306-103	125	95	18	15	32	16	44	43	17	M14	60	UC306-102 UC306 UC306-103	F306	1.6
	1 3/16															
35	1 1/4	UCF307-104 UCF307-106 UCF307 UCF307-107	135	100	20	16	36	19	49	48	19	M16	68	UC307-104 UC307-106 UC307 UC307-107	F307	2.0
	1 3/8															
	1 7/16															
40	1 1/2	UCF308-108 UCF308	150	112	23	17	40	19	56	52	19	M16	76	UC308-108 UC308	F308	2.7
45	1 5/8	UCF309-110 UCF309-111 UCF309-112 UCF309	160	125	25	18	44	19	60	57	22	M16	80	UC309-110 UC309-111 UC309-112 UC309	F309	3.4
	1 11/16															
	1 3/4															
50	1 7/8	UCF310-114 UCF310-115 UCF310	175	132	28	19	48	23	67	61	22	M20	88	UC310-114 UC310-115 UC310	F310	4.5
	1 15/16															
55	2	UCF311-200 UCF311-202 UCF311 UCF311-203	185	140	30	20	52	23	71	66	25	M20	92	UC311-200 UC311-202 UC311 UC311-203	F311	5.5
	2 1/8															
	2 3/16															
60	2 1/4	UCF312-204 UCF312 UCF312-206 UCF312-207	195	150	33	22	56	23	78	71	26	M20	100	UC312-204 UC312 UC312-206 UC312-207	F312	6.5
	2 3/8															
	2 7/16															
65	2 1/2	UCF313-208 UCF313	208	166	33	22	58	23	78	75	30	M20	103	UC313-208 UC313	F313	7.9
70	2 11/16	UCF314-211 UCF314-212 UCF314	226	178	36	25	61	25	81	78	33	M22	106	UC314-211 UC314-212 UC314	F314	9.5
	2 3/4															
75	2 5/16	UCF315-215 UCF315 UCF315-300	236	184	39	25	66	25	89	82	32	M22	114	UC315-215 UC315 UC315-300	F315	12.0
	3															
80		UCF316	250	196	38	27	68	31	90	86	34	M27	116	UC316	F316	14.0
85	3 1/4	UCF317-304 UCF317	260	204	44	27	74	31	100	96	40	M27	129	UC317-304 UC317	F317	16.0
90	3 1/2	UCF318-308 UCF318	280	216	44	30	76	35	100	96	40	M30	129	UC318-308 UC318	F318	19.0
95		UCF319 UCF319-312	290	228	59	30	94	35	121	103	41	M30	149	UC319 UC319-312	F319	22.0
100	3 3/4	UCF320 UCF320-400	310	242	59	32	94	38	125	108	42	M33	154	UC320 UC320-400	F320	26.0
	4															
105		UCF321	310	242	59	32	94	38	127	112	44	M33	156	UC321	F321	27.0
110		UCF322	340	266	60	35	96	41	131	117	46	M36	160	UC322	F322	38.0
120		UCF324	370	290	65	40	110	41	140	126	51	M36	172	UC324	F324	50.0
130		UCF326	410	320	65	45	115	41	146	135	54	M36	178	UC326	F326	66.0
140		UCF328	450	350	75	55	125	41	161	145	59	M36	192	UC328	F328	90.0