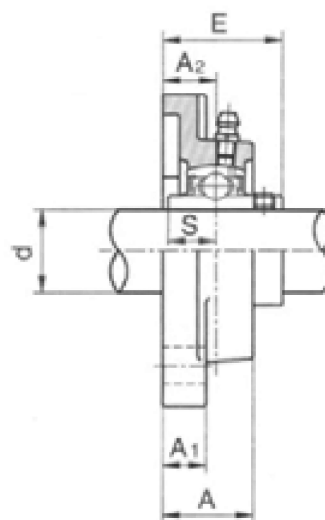
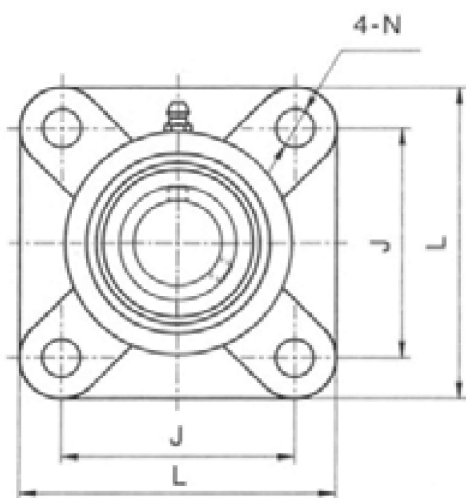


F200 Series



F2

Part No.	Basic Dimensions (mm)									N.W. (kg)
	d	L	J	A2	A1	A	N	E	S	
F204	20	86	64	15	11	25.5	12	33.3	12.7	0.32
F205	25	95	70	16	13	27	12	35.8	14.3	0.43
F206	30	108	83	18	13	31	12	40.2	15.9	0.57
F207	35	117	92	19	15	34	14	44.4	17.5	0.67
F208	40	130	102	21	15	36	16	51.2	19	0.86
F209	45	137	105	22	16	38	16	52.2	19	1.03
F210	50	143	111	22	16	40	16	54.6	19	1.15
F211	55	162	130	25	18	43	19	58.4	22.2	1.6
F212	60	175	143	29	18	48	19	68.7	25.4	1.85
F213	65	187	149	30	22	50	19	69.7	25.4	2.42
F214	70	193	152	31	22	54	19	75.4	30.2	2.71
F215	75	200	159	34	22	56	19	78.5	33.3	3.11
F216	80	208	165	34	22	58	23	83.3	33.3	3.57
F217	85	220	175	36	24	63	23	87.6	34.1	4.06
F218	90	235	187	40	24	68	23	96.3	39.7	4.73

NB. Finer Power Transmissions P/L is transitioning into NBR Bearings. Unless NBR Bearings are specifically requested, any remaining PFB/TNC stock will be supplied.