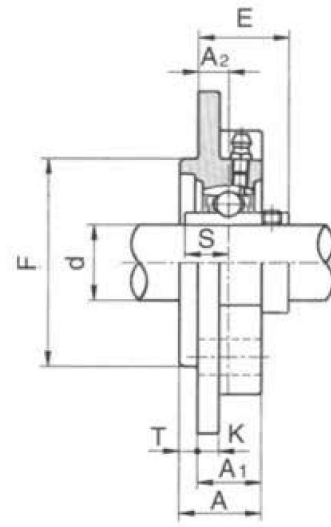
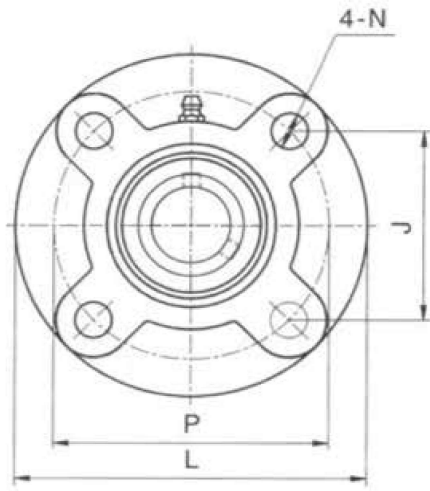


## FC200 Series



FC2

Part No.	Basic Dimensions (mm)													N.W. (kg)
	d	L	P	J	A2	A1	A	T	K	F	N	E	S	
FC204	20	100	78	55.1	10	20.5	25.5	5	7	62	12	28.3	12.7	0.58
FC205	25	115	90	63.6	10	21	27	6	7	70	12	29.8	14.3	0.74
FC206	30	125	100	70.7	10	23	31	8	8	80	12	32.2	15.9	0.93
FC207	35	135	110	77.8	11	26	34	8	9	90	14	36.4	17.5	1.2
FC208	40	145	120	84.8	11	26	36	10	9	100	14	41.2	19	1.41
FC209	45	160	132	93.3	10	26	38	12	14	105	16	40.2	19	1.95
FC210	50	165	138	97.6	10	28	40	12	14	110	16	42.6	19	2.12
FC211	55	185	150	106.1	13	31	43	12	15	125	19	46.4	22.2	3.05
FC212	60	195	160	113.1	17	36	48	12	15	135	19	56.7	25.4	3.57
FC213	65	205	170	120.2	16	36	50	14	15	145	19	55.7	25.4	3.74
FC214	70	215	177	125.1	17	40	54	14	18	150	19	61.4	30.2	4.8
FC215	75	220	184	130.1	18	40	56	16	18	160	19	62.5	33.3	5.2
FC216	80	240	200	141.4	18	42	58	16	18	170	23	67.3	33.3	6.3
FC217	85	250	208	147.1	18	45	63	18	20	180	23	69.6	34.1	7.37
FC218	90	265	220	155.5	22	50	68	18	20	190	23	78.3	39.7	8.6

NB. Finer Power Transmissions P/L is transitioning into NBR Bearings. Unless NBR Bearings are specifically requested, any remaining PFB/TNC stock will be supplied.