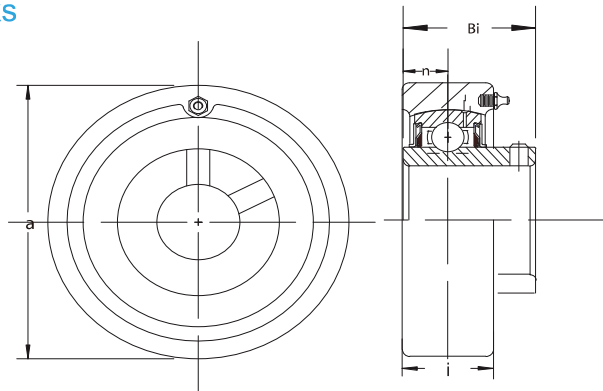


Normal Duty Pillow Blocks UCC200 SERIES



<Metric series>

Unit no.	Shaft Diam. mm	Dimensions mm				Bearing No.	Housing No.	Weight kg
		a	i	Bi	n			
UCC201	12	72	20	31	12.7	UC201	C204	0.54
UCC202	15	72	20	31	12.7	UC202	C204	0.52
UCC203	17	72	20	31	12.7	UC203	C204	0.51
UCC204	20	72	20	31	12.7	UC204	C204	0.49
UCC205	25	80	22	34	14.3	UC205	C205	0.65
UCC206	30	85	27	38.1	15.9	UC206	C206	0.82
UCC207	35	90	28	42.9	17.5	UC207	C207	0.93
UCC208	40	100	30	49.2	19	UC208	C208	1.2
UCC209	45	110	31	49.2	19	UC209	C209	1.5
UCC210	50	120	33	51.6	19	UC210	C210	1.9
UCC211	55	125	35	55.6	22.2	UC211	C211	2.1
UCC212	60	130	38	65.1	25.4	UC212	C212	2.5
UCC213	65	140	40	65.1	25.4	UC213	C213	3.0

<inch series>

Unit No.	Shaft Diam. mm	Dimensions in.				Bearing No.	Housing No.	Weight kg	
		a	i	Bi	n				
UCC201-8	1/2	2.8346	0.787	1.220	0.500	8 - 1 0 2	C U	.19	
UCC202-9	9/16					UC202-9		C204	1.15
202-10	5/8								202-10
UCC203-11	11/16					UC203-11		1.12	
UCC204-12	3/4	2.8346	0.787	1.220	0.500	UC 204-12	C204	1.08	
UCC205-14	7/8	3.1496	0.866	1.339	0.563	UC205-14	C205	1.43	
205-15	15/16					205-15			
205-16	1					205-16			
UCC206-17	11/16	3.3465	1.063	1.500	0.626	UC206-17	C206	1.81	
206-18	11/8					206-18			
206-19	13/16					206-19			
UCC207-20	11/4	3.5433	1.102	1.689	0.689	UC207-20	C207	2.05	
207-21	15/16					207-21			
207-22	13/8					207-22			
207-23	17/16					207-23			
UCC208-24	11/2	3.9370	1.181	1.937	0.748	UC208-24	C208	2.64	
208-25	19/16					208-25			
UCC209-26	15/8	4.3307	1.220	1.937	0.748	UC209-26	C209	3.31	
209-27	1 11/16					209-27			
209-28	13/4					209-28			
UCC210-30	17/8	4.7244	1.299	2.032	0.748	UC210-30	C210	4.19	
210-31	1 15/16					210-31			
UCC211-32	2	4.9213	1.378	2.189	0.874	UC211-32	C211	4.63	
211-34	2 1/8					211-34			
211-35	2 3/16					211-35			
UCC212-36	2 1/4	5.1181	1.496	2.563	1.000	UC212-36	C212	5.51	
212-38	2 3/8					212-38			
212-39	2 7/16					212-39			
UCC213-40	2 1/2	5.5118	1.575	2.563	1.000	UC213-40	C213	6.61	