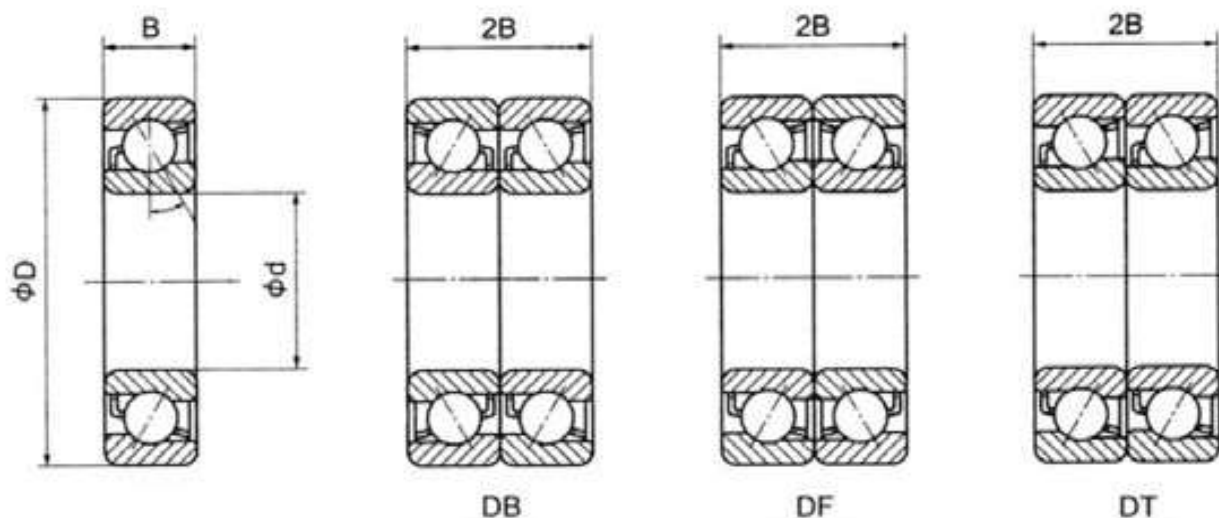


7000 Series



Part No.	d	D	B	Dynamic load (kN)	Static load (kN)	N.W. (kg)
7000A	10	26	8	5	2.3	0.022
7001A	12	28	8	5.1	2.8	0.024
7002A	15	32	9	6.2	3.4	0.035
7003A	17	35	10	6.5	3.9	0.045
7004A	20	42	12	11	6.1	0.08
7005A	25	47	12	11.3	7.4	0.091
7006A	30	55	13	14.5	12	0.14
7007A	35	62	14	16	14	0.18
7008A	40	68	15	18.8	14.5	0.21
7009A	45	75	16	22.2	17.6	0.265
7010A	50	80	16	23.6	20	0.285
7011A	55	90	18	31	26.2	0.42
7012A	60	95	18	32	28	0.45

7200 Series

Part No.	d	D	B	Dynamic load (kN)	Static load (kN)	N.W. (kg)
7202B	15	35	11	8.6	4.5	0.048
7203B	17	40	12	11.3	6.3	0.07
7204B	20	47	14	13.7	7.9	0.11
7205B	25	52	15	15.3	9.7	0.135
7206B	30	62	13	21.2	13.9	0.21
7207B	35	72	17	28	19	0.295
7208B	40	80	18	33	23.7	0.38
7209B	45	85	19	37	27.1	0.43
7210B	50	90	20	38.5	29.6	0.485
7211B	55	100	21	48	37.5	0.635
7212B	60	110	22	58	46	0.82
7213B	65	120	23	66	54.5	1.02
7214B	70	125	24	71.5	59.5	1.12
7215B	75	130	25	74	64	1.23
7216A	80	140	26	79	68	1.5
7216B	80	140	26	83.5	71.5	1.5