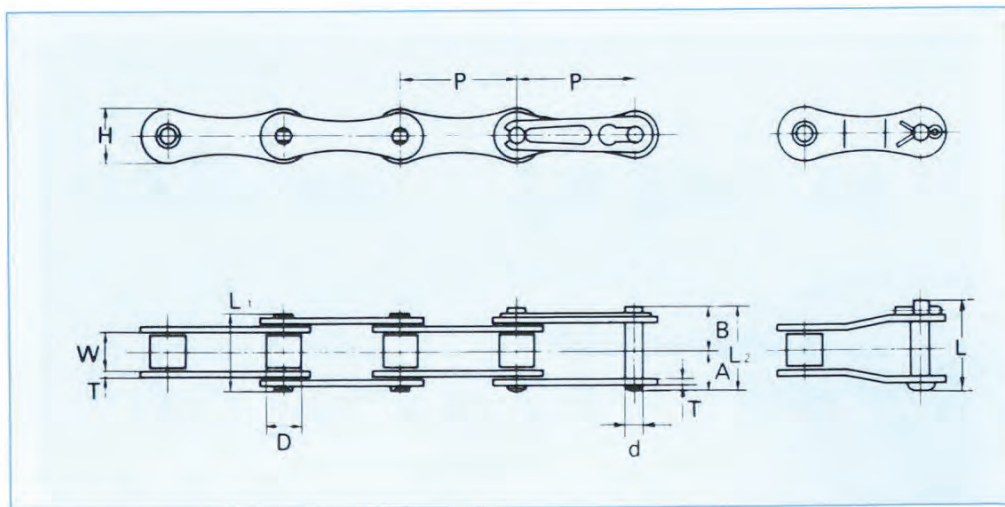


Double-pitch roller chain, whose pitch is doubled compared to standard roller chain, employs parts of standard roller chain except for link plate. Therefore, the length and strength are the same, but the number of parts is reduced to a half, reducing weight and improving economy. This roller chain is suited for relatively long power transmission at low speed.



Dimensions (millimeters)

KCM Chain Number	Pitch P	Width between inner plates W	Roller diameter D	Pin						Link plate		Average Tensile strength kgf (kN)	Maximum Allowable Load kgf (kN)	Approx weight (kg/m)	Links of 1 unit
				Diameter d	A	B	(A + A) L ₁	(A + B) L ₂	Offset L	Thick-ness T	Height H				
KCM A2040	25.40	7.95	7.95	3.97	8.02	9.53	16.05	17.55	18.95	1.5	11.7	1,750 (17.2)	280 (2.75)	0.40	120
KCM A2050	31.75	9.35	10.16	5.09	10.15	11.60	20.30	21.75	23.00	2.0	14.6	2,850 (27.9)	450 (4.41)	0.65	96
KCM A2060	38.10	12.70	11.91	5.96	12.65	14.15	25.30	26.80	29.45	2.4	17.5	4,000 (39.5)	640 (6.28)	0.95	80
KCM A2080	50.80	15.88	15.88	7.94	16.07	19.18	32.15	35.25	36.90	3.2	23.0	7,000 (68.6)	1,090 (10.69)	1.74	60

NOTE: Connecting link for the A2080 or larger models use split pins.