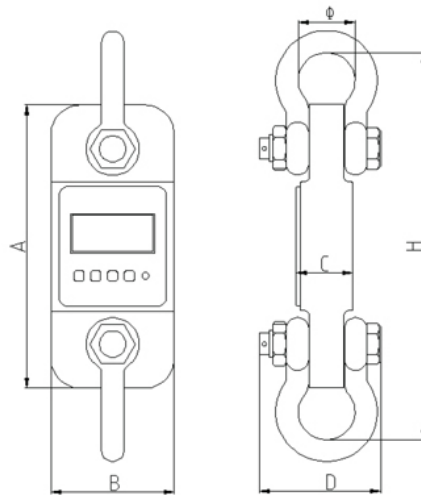


WLL (T)	PRODUCT CODE	UNIT Wt. (kg)	Wt. WITH SHACKLE (Kg)	Min. WEIGHT (kg)	TOTAL DISPLAY COUNTS (N)
1	160001	1.6	3.1	10	2000
2	160002	1.7	3.2	20	2000
3	160003	2.1	4.6	20	3000
5	160005	2.7	6.3	40	2500
10	160010	10.4	24.8	100	2000
20	160020	17.8	48.6	200	2000
30	160030	25	87	200	3000
50	160050	39	128	400	2500
100	160100	81	321	1000	2000
200	160200	210	776	2000	2000



WLL (T)	PRODUCT CODE	DIVISION (kg)	DIMENSION						MATERIAL
			A	B	C	D	Ø	H	
1	160001	0.5	245	112	37	190	43	335	Aluminium
2	160002	1	245	116	37	190	43	335	Aluminium
3	160003	1	260	123	37	195	51	365	Aluminium
5	160005	2	285	123	57	210	58	405	Aluminium
10	160010	5	320	120	57	230	92	535	Alloy Steel
20	160020	10	420	128	74	260	127	660	Alloy Steel
30	160030	10	420	138	82	280	146	740	Alloy Steel
50	160050	20	465	150	104	305	184	930	Alloy Steel
100	160100	50	570	190	132	366	229	1230	Alloy Steel
200	160200	100	725	265	183	440	280	1380	Alloy Steel