

| Circlips - Internal |      |      |                  |     |                  |          |      |             |                  |      |                  |      |      |         |     |         |
|---------------------|------|------|------------------|-----|------------------|----------|------|-------------|------------------|------|------------------|------|------|---------|-----|---------|
| SIZE CODE           | BORE |      | GROOVE (G)       |     |                  |          |      | CIRCLIP (F) |                  |      |                  |      |      |         |     |         |
|                     | B    | G    | Tol.             | W   | Tol.             | n (min.) | d~   | t           | Tol.             | D    | Tol.             | C    | C1   | L (max) | b~  | h (min) |
| 1300-8              | 8    | 8.4  | (+0.09<br>-0.00) | 0.9 | (+0.14<br>-0.00) | 0.6      | 0.2  | 0.8         | (+0.36<br>-0.10) | 8.7  | (+0.42<br>-0.13) | 3    | 3.6  | 2.4     | 1.1 | 1       |
| 1300-9              | 9    | 9.4  |                  | 0.9 |                  | 0.6      | 0.2  | 0.8         |                  | 9.8  |                  | 3.7  | 4.4  | 2.5     | 1.3 | 1       |
| 1300-10             | 10   | 10.4 | (+0.11<br>-0.00) | 1.1 |                  | 0.6      | 0.2  | 1           |                  | 10.8 |                  | 3.3  | 4    | 3.2     | 1.4 | 1.2     |
| 1300-11             | 11   | 11.4 |                  | 1.1 |                  | 0.6      | 0.2  | 1           |                  | 11.8 |                  | 4.1  | 4.8  | 3.3     | 1.5 | 1.2     |
| 1300-12             | 12   | 12.5 |                  | 1.1 |                  | 0.8      | 0.25 | 1           |                  | 13   |                  | 4.9  | 5.7  | 3.4     | 1.7 | 1.5     |
| 1300-13             | 13   | 13.6 |                  | 1.1 |                  | 0.9      | 0.3  | 1           |                  | 14.1 |                  | 5.4  | 6.4  | 3.6     | 1.8 | 1.5     |
| 1300-14             | 14   | 14.6 |                  | 1.1 |                  | 0.9      | 0.3  | 1           |                  | 15.1 |                  | 6.2  | 7.2  | 3.7     | 1.9 | 1.7     |
| 1300-15             | 15   | 15.7 |                  | 1.1 |                  | 1.1      | 0.35 | 1           |                  | 16.2 |                  | 7.2  | 8.3  | 3.7     | 2   | 1.7     |
| 1300-16             | 16   | 16.8 |                  | 1.1 |                  | 1.2      | 0.4  | 1           |                  | 17.3 |                  | 8    | 9.2  | 3.8     | 2   | 1.7     |
| 1300-17             | 17   | 17.8 |                  | 1.1 |                  | 1.2      | 0.4  | 1           |                  | 18.3 |                  | 8.8  | 10   | 3.9     | 2.1 | 1.7     |
| 1300-18             | 18   | 19   | (+0.13<br>-0.00) | 1.1 |                  | 1.5      | 0.5  | 1           |                  | 19.5 |                  | 9.4  | 10.8 | 4.1     | 2.2 | 2       |
| 1300-19             | 19   | 20   |                  | 1.1 |                  | 1.5      | 0.5  | 1           |                  | 20.5 |                  | 10.4 | 11.8 | 4.1     | 2.2 | 2       |
| 1300-20             | 20   | 21   |                  | 1.1 |                  | 1.5      | 0.5  | 1           |                  | 21.5 |                  | 11.2 | 12.6 | 4.2     | 2.3 | 2       |
| 1300-21             | 21   | 22   |                  | 1.1 |                  | 1.5      | 0.5  | 1           |                  | 22.5 |                  | 12.2 | 13.6 | 4.2     | 2.4 | 2       |
| 1300-22             | 22   | 23   | (+0.21<br>-0.00) | 1.1 |                  | 1.5      | 0.5  | 1           |                  | 23.5 |                  | 13.2 | 14.6 | 4.2     | 2.5 | 2       |
| 1300-23             | 23   | 24.1 |                  | 1.3 |                  | 1.7      | 0.6  | 1.2         |                  | 24.6 |                  | 14.2 | 15.7 | 4.2     | 2.5 | 2       |
| 1300-24             | 24   | 25.2 |                  | 1.3 |                  | 1.8      | 0.6  | 1.2         |                  | 25.9 |                  | 14.8 | 16.4 | 4.4     | 2.6 | 2       |
| 1300-25             | 25   | 26.2 |                  | 1.3 |                  | 1.8      | 0.6  | 1.2         |                  | 26.9 |                  | 15.5 | 17.2 | 4.5     | 2.7 | 2       |
| 1300-26             | 26   | 27.2 |                  | 1.3 |                  | 1.8      | 0.6  | 1.2         |                  | 27.9 |                  | 16.1 | 17.8 | 4.7     | 2.8 | 2       |
| 1300-27             | 27   | 28.4 |                  | 1.3 |                  | 2.1      | 0.7  | 1.2         |                  | 29.1 |                  | 17.1 | 19   | 4.7     | 2.9 | 2       |
| 1300-28             | 28   | 29.4 | (+0.25<br>-0.00) | 1.3 | 2.1              | 0.7      | 1.2  | 30.1        | 17.9             | 19.8 | 4.8              | 2.9  | 2    |         |     |         |
| 1300-29             | 29   | 30.4 |                  | 1.3 | 2.1              | 0.7      | 1.2  | 31.1        | 18.9             | 20.8 | 4.8              | 3    | 2    |         |     |         |
| 1300-30             | 30   | 31.4 |                  | 1.3 | 2.1              | 0.7      | 1.2  | 32.1        | 19.9             | 21.8 | 4.8              | 3    | 2    |         |     |         |
| 1300-31             | 31   | 32.7 |                  | 1.3 | 2.6              | 0.85     | 1.2  | 33.4        | 20               | 22.3 | 5.2              | 3.2  | 2.5  |         |     |         |
| 1300-32             | 32   | 33.7 |                  | 1.3 | 2.6              | 0.85     | 1.2  | 34.4        | 20.6             | 22.9 | 5.4              | 3.2  | 2.5  |         |     |         |
| 1300-33             | 33   | 34.7 | 1.3              | 2.6 | 0.85             | 1.2      | 35.5 | 21.6        | 23.9             | 5.4  | 3.3              | 2.5  |      |         |     |         |

# Circlips - Internal



"Australia's Only Genuine Wholesaler"

Finer Power Transmissions P/L | www.finerpt.com

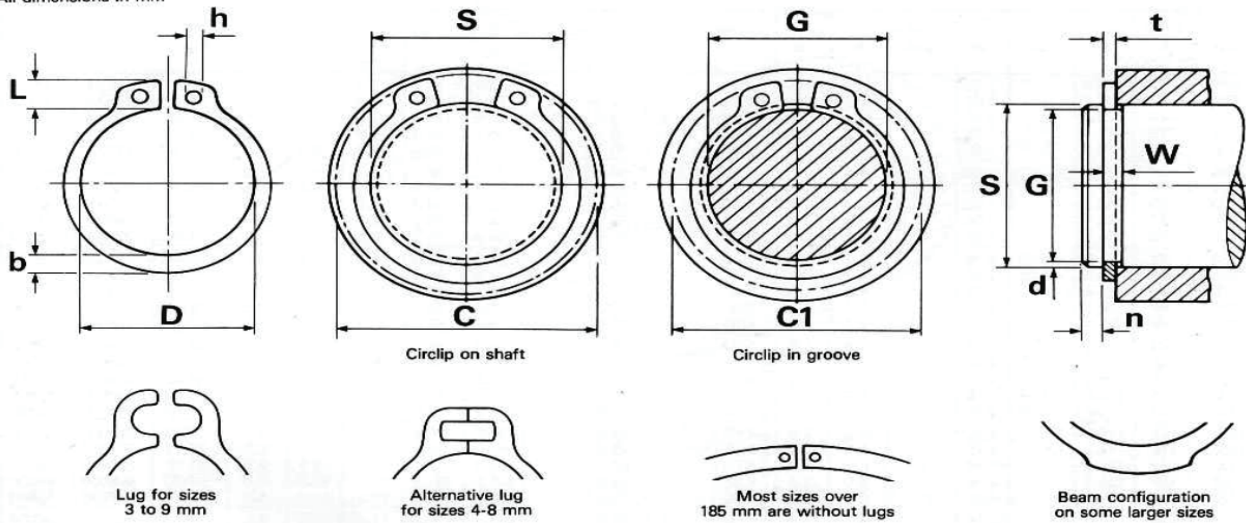
| Circlips - Internal |        |            |                    |      |                    |          |      |             |                    |      |                    |      |      |         |     |         |
|---------------------|--------|------------|--------------------|------|--------------------|----------|------|-------------|--------------------|------|--------------------|------|------|---------|-----|---------|
| SIZE CODE           | BORE B | GROOVE (G) |                    |      |                    |          |      | CIRCLIP (F) |                    |      |                    |      |      |         |     |         |
|                     |        | G          | Tol.               | W    | Tol.               | n (min.) | d~   | t           | Tol.               | D    | Tol.               | C    | C1   | L (max) | b~  | h (min) |
| 1300-34             | 34     | 35.7       | (+0.25<br>(-)0.00) | 1.6  | (+0.00<br>(-)0.05) | 2.6      | 0.85 | 1.5         | (+0.90<br>(-)0.39) | 36.5 | (+0.50<br>(-)0.25) | 22.6 | 24.9 | 5.4     | 3.3 | 2.5     |
| 1300-35             | 35     | 37         |                    | 1.6  |                    | 3        | 1    | 1.5         |                    | 37.8 |                    | 23.6 | 26.2 | 5.4     | 3.4 | 2.5     |
| 1300-36             | 36     | 38         |                    | 1.6  |                    | 3        | 1    | 1.5         |                    | 38.8 |                    | 24.6 | 27.2 | 5.4     | 3.5 | 2.5     |
| 1300-37             | 37     | 39         |                    | 1.6  |                    | 3        | 1    | 1.5         |                    | 39.8 |                    | 25.4 | 28   | 5.5     | 3.6 | 2.5     |
| 1300-38             | 38     | 40         |                    | 1.6  |                    | 3        | 1    | 1.5         |                    | 40.8 |                    | 26.4 | 29   | 5.5     | 3.7 | 2.5     |
| 1300-39             | 39     | 41         |                    | 1.6  |                    | 3        | 1    | 1.5         |                    | 42   | 27.3               | 29.8 | 5.6  | 3.8     | 2.5 |         |
| 1300-40             | 40     | 42.5       |                    | 1.85 |                    | 3.8      | 1.25 | 1.75        |                    | 43.5 | 27.8               | 30.9 | 5.8  | 3.9     | 2.5 |         |
| 1300-41             | 41     | 43.5       |                    | 1.85 |                    | 3.8      | 1.25 | 1.75        |                    | 44.5 | 28.6               | 31.7 | 5.9  | 4       | 2.5 |         |
| 1300-42             | 42     | 44.5       |                    | 1.85 |                    | 3.8      | 1.25 | 1.75        |                    | 45.5 | 29.6               | 32.7 | 5.9  | 4.1     | 2.5 |         |
| 1300-43             | 43     | 45.5       |                    | 1.85 |                    | 3.8      | 1.25 | 1.75        |                    | 46.5 | 30.6               | 33.7 | 5.9  | 4.2     | 2.5 |         |
| 1300-44             | 44     | 46.5       |                    | 1.85 |                    | 3.8      | 1.25 | 1.75        |                    | 47.5 | 31.4               | 34.5 | 6    | 4.2     | 2.5 |         |
| 1300-45             | 45     | 47.5       |                    | 1.85 |                    | 3.8      | 1.25 | 1.75        |                    | 48.5 | 32                 | 35.1 | 6.5  | 4.3     | 2.5 |         |
| 1300-46             | 46     | 48.5       |                    | 1.85 |                    | 3.8      | 1.25 | 1.75        |                    | 49.5 | 32.8               | 35.9 | 6.3  | 4.4     | 2.5 |         |
| 1300-47             | 47     | 49.5       | 1.85               | 3.8  | 1.25               | 1.75     | 50.5 | 33.5        | 36.7               | 6.4  | 4.4                | 2.5  |      |         |     |         |
| 1300-48             | 48     | 50.5       | (+0.14<br>(-)0.00) | 1.85 | (+0.00<br>(-)0.07) | 3.8      | 1.25 | 1.75        | (+1.10<br>(-)0.46) | 51.5 | 34.5               | 37.7 | 6.4  | 4.5     | 2.5 |         |
| 1300-50             | 50     | 53         |                    | 2.15 |                    | 4.5      | 1.5  | 2           |                    | 54.2 | 36.3               | 40   | 6.5  | 4.6     | 2.5 |         |
| 1300-51             | 51     | 54         |                    | 2.15 |                    | 4.5      | 1.5  | 2           |                    | 55.2 | 37.3               | 41   | 6.5  | 4.7     | 2.5 |         |
| 1300-52             | 52     | 55         |                    | 2.15 |                    | 4.5      | 1.5  | 2           |                    | 56.2 | 37.9               | 41.6 | 6.7  | 4.7     | 2.5 |         |
| 1300-53             | 53     | 56         |                    | 2.15 |                    | 4.5      | 1.5  | 2           |                    | 57.2 | 39                 | 42.6 | 6.7  | 4.9     | 2.5 |         |
| 1300-54             | 54     | 57         |                    | 2.15 |                    | 4.5      | 1.5  | 2           |                    | 58.2 | 40                 | 43.6 | 6.7  | 5       | 2.5 |         |
| 1300-55             | 55     | 58         |                    | 2.15 |                    | 4.5      | 1.5  | 2           |                    | 59.2 | 40.7               | 44.4 | 6.8  | 5       | 2.5 |         |
| 1300-56             | 56     | 59         |                    | 2.15 |                    | 4.5      | 1.5  | 2           |                    | 60.2 | 41.7               | 45.4 | 6.8  | 5.1     | 2.5 |         |
| 1300-57             | 57     | 60         |                    | 2.15 |                    | 4.5      | 1.5  | 2           |                    | 61.2 | 42.7               | 46.4 | 6.8  | 5.2     | 2.5 |         |
| 1300-58             | 58     | 61         |                    | 2.15 |                    | 4.5      | 1.5  | 2           |                    | 62.2 | 43.5               | 47.2 | 6.9  | 5.2     | 2.5 |         |
| 1300-60             | 60     | 63         |                    | 2.15 |                    | 4.5      | 1.5  | 2           |                    | 64.2 | 44.7               | 48.4 | 7.3  | 5.4     | 2.5 |         |
| 1300-61             | 61     | 64         |                    | 2.15 |                    | 4.5      | 1.5  | 2           |                    | 65.2 | 45.7               | 49.4 | 7.3  | 5.4     | 2.5 |         |
| 1300-62             | 62     | 65         |                    | 2.15 |                    | 4.5      | 1.5  | 2           |                    | 66.2 | 46.7               | 50.4 | 7.3  | 5.5     | 2.5 |         |
| 1300-63             | 63     | 66         | 2.15               | 4.5  | 1.5                | 2        | 67.2 | 47.7        | 51.4               | 7.3  | 5.6                | 2.5  |      |         |     |         |
| 1300-64             | 64     | 67         | 2.15               | 4.5  | 1.5                | 2        | 68.2 | 48.7        | 52.4               | 7.4  | 5.7                | 2.5  |      |         |     |         |
| 1300-65             | 65     | 68         | 2.65               | 4.5  | 1.5                | 2.5      | 69.2 | 49          | 52.8               | 7.6  | 5.8                | 3    |      |         |     |         |
| 1300-67             | 67     | 70         | 2.65               | 4.5  | 1.5                | 2.5      | 71.5 | 50.8        | 54.6               | 7.7  | 6                  | 3    |      |         |     |         |
| 1300-68             | 68     | 71         | 2.65               | 4.5  | 1.5                | 2.5      | 72.5 | 51.6        | 55.4               | 7.8  | 6.1                | 3    |      |         |     |         |
| 1300-70             | 70     | 73         | 2.65               | 4.5  | 1.5                | 2.5      | 74.5 | 53.6        | 57.4               | 7.8  | 6.2                | 3    |      |         |     |         |
| 1300-72             | 72     | 75         | 2.65               | 4.5  | 1.5                | 2.5      | 76.5 | 55.6        | 59.4               | 7.8  | 6.4                | 3    |      |         |     |         |
| 1300-75             | 75     | 78         | 2.65               | 4.5  | 1.5                | 2.5      | 79.5 | 58.6        | 62.4               | 7.8  | 6.6                | 3    |      |         |     |         |
| 1300-77             | 77     | 80         | 2.65               | 4.5  | 1.5                | 2.5      | 82.5 | 59.2        | 63                 | 8.5  | 6.8                | 3    |      |         |     |         |
| 1300-78             | 78     | 81         | (+0.35<br>(-)0.00) | 2.65 | (+1.30<br>(-)0.54) | 4.5      | 1.5  | 2.5         | 82.5               | 60.1 | 64                 | 8.5  | 6.8  | 3       |     |         |
| 1300-80             | 80     | 83.5       |                    | 2.65 |                    | 5.3      | 1.75 | 2.5         | 85.5               | 62.1 | 66.5               | 8.5  | 7    | 3       |     |         |
| 1300-81             | 81     | 84.5       |                    | 2.65 |                    | 5.3      | 1.75 | 2.5         | 86.5               | 62.2 |                    | 8.5  | 7    | 3       |     |         |

Assortment

| Circlips - Internal |      |       |                   |                   |                   |          |                   |       |                   |       |                   |       |                   |         |                  |         |
|---------------------|------|-------|-------------------|-------------------|-------------------|----------|-------------------|-------|-------------------|-------|-------------------|-------|-------------------|---------|------------------|---------|
| SIZE CODE           | BORE |       | GROOVE (G)        |                   |                   |          |                   |       | CIRCLIP (F)       |       |                   |       |                   |         |                  |         |
|                     | B    | G     | Tol.              | W                 | Tol.              | n (min.) | d~                | t     | Tol.              | D     | Tol.              | C     | C1                | L (max) | b~               | h (min) |
| 1300-82             | 82   | 85.5  | (+0.35<br>(-)0.00 | 2.65              | (+0.14<br>(-)0.00 | 5.3      | 1.75              | 2.5   | (+0.00<br>(-)0.07 | 87.5  | (+0.00<br>(-)0.08 | 64.1  | 68.5              | 8.5     | 7                | 3       |
| 1300-83             | 83   | 86.5  |                   | 2.65              | 5.3               | 1.75     | 2.5               | 88.5  | 65.2              | 69.5  |                   | 8.5   | 7                 | 3       |                  |         |
| 1300-85             | 85   | 88.5  |                   | 3.15              | 5.3               | 1.75     | 3                 | 90.5  | 66.9              | 71.3  |                   | 8.6   | 7.2               | 3.5     |                  |         |
| 1300-87             | 87   | 90.5  |                   | 3.15              | 5.3               | 1.75     | 3                 | 93.5  | 69                | 73.3  |                   | 8.6   | 7.4               | 3.5     |                  |         |
| 1300-88             | 88   | 91.5  |                   | 3.15              | 5.3               | 1.75     | 3                 | 93.5  | 69.9              | 74.3  |                   | 8.6   | 7.4               | 3.5     |                  |         |
| 1300-90             | 90   | 93.5  |                   | 3.15              | 5.3               | 1.75     | 3                 | 95.5  | 71.9              | 76.3  |                   | 8.6   | 7.6               | 3.5     |                  |         |
| 1300-92             | 92   | 95.5  |                   | 3.15              | 5.3               | 1.75     | 3                 | 97.5  | 73.7              | 78.1  |                   | 8.7   | 7.8               | 3.5     |                  |         |
| 1300-95             | 95   | 98.5  |                   | 3.15              | 5.3               | 1.75     | 3                 | 100.5 | 76.5              | 80.9  |                   | 8.8   | 8.1               | 3.5     |                  |         |
| 1300-97             | 97   | 100.5 |                   | 3.15              | 5.3               | 1.75     | 3                 | 103.5 | (+1.30<br>(-)0.54 | 78.1  |                   | 82.5  | 9                 | 8.3     | 3.5              |         |
| 1300-98             | 98   | 101.5 |                   | 3.15              | 5.3               | 1.75     | 3                 | 103.5 | 79                | 83.5  |                   | 9     | 8.3               | 3.5     |                  |         |
| 1300-100            | 100  | 103.5 | 3.15              | 5.3               | 1.75              | 3        | 105.5             | 80.6  | 85.1              | 9.2   | 8.4               | 3.5   |                   |         |                  |         |
| 1300-102            | 102  | 106   | (+0.54<br>(-)0.00 | 4.15              | (+0.18<br>(-)0.00 | 6        | 2                 | 4     | (+0.00<br>(-)0.10 | 108   | (+1.50<br>(-)0.63 | 82    | 87                | 9.5     | 8.5              | 3.5     |
| 1300-105            | 105  | 109   |                   | 4.15              |                   | 6        | 2                 | 4     |                   | 112   |                   | 85    | 90                | 9.5     | 8.7              | 3.5     |
| 1300-107            | 107  | 111   |                   | 4.15              |                   | 6        | 2                 | 4     |                   | 115   |                   | 87    | 92                | 9.5     | 8.9              | 3.5     |
| 1300-108            | 108  | 112   |                   | 4.15              |                   | 6        | 2                 | 4     |                   | 115   |                   | 88    | 93                | 9.5     | 8.9              | 3.5     |
| 1300-110            | 110  | 114   |                   | 4.15              |                   | 6        | 2                 | 4     |                   | 117   |                   | 88.2  | 93.2              | 10.4    | 9                | 3.5     |
| 1300-112            | 112  | 116   |                   | 4.15              |                   | 6        | 2                 | 4     |                   | 119   |                   | 90    | 95                | 10.5    | 9.1              | 3.5     |
| 1300-115            | 115  | 119   |                   | 4.15              |                   | 6        | 2                 | 4     |                   | 122   |                   | 93    | 98                | 10.5    | 9.3              | 3.5     |
| 1300-117            | 117  | 121   |                   | 4.15              |                   | 6        | 2                 | 4     |                   | 125   |                   | 94.6  | 99.6              | 10.7    | 9.6              | 3.5     |
| 1300-118            | 118  | 122   |                   | 4.15              |                   | 6        | 2                 | 4     |                   | 125   |                   | 95.6  | 100.6             | 10.7    | 9.6              | 3.5     |
| 1300-120            | 120  | 124   |                   | 4.15              |                   | 6        | 2                 | 4     |                   | 127   |                   | 96.9  | 102               | 11      | 9.7              | 3.5     |
| 1300-125            | 125  | 129   | 4.15              | 6                 | 2                 | 4        | 132               | 101.9 | 107               | 11    | 10                | 4     |                   |         |                  |         |
| 1300-127            | 127  | 131   | 4.15              | 6                 | 2                 | 4        | 135               | 103.9 | 109               | 11    | 10                | 4     |                   |         |                  |         |
| 1300-128            | 128  | 132   | 4.15              | 6                 | 2                 | 4        | 135               | 104.9 | 110               | 11    | 10                | 4     |                   |         |                  |         |
| 1300-130            | 130  | 134   | (+0.63<br>(-)0.00 | 4.15              | (+0.18<br>(-)0.00 | 6        | 2                 | 4     | (+0.00<br>(-)0.10 | 137   | (+1.50<br>(-)0.63 | 106.9 | 112               | 11      | 10.2             | 4       |
| 1300-135            | 135  | 139   |                   | 4.15              |                   | 6        | 2                 | 4     |                   | 142   |                   | 111.5 | 116               | 11.2    | 10.5             | 4       |
| 1300-140            | 140  | 144   |                   | 4.15              |                   | 6        | 2                 | 4     |                   | 147   |                   | 116.5 | 121               | 11.2    | 10.7             | 4       |
| 1300-145            | 145  | 149   |                   | 4.15              |                   | 6        | 2                 | 4     |                   | 152   |                   | 121   | 126               | 11.4    | 10.9             | 4       |
| 1300-150            | 150  | 155   |                   | 4.15              |                   | 7.5      | 2.5               | 4     |                   | 158   |                   | 124.8 | 131               | 12      | 11.2             | 4       |
| 1300-155            | 155  | 160   |                   | 4.15              |                   | 7.5      | 2.5               | 4     |                   | 164   |                   | 129.8 | 136               | 12      | 11.4             | 4       |
| 1300-160            | 160  | 165   |                   | 4.15              |                   | 7.5      | 2.5               | 4     |                   | 169   |                   | 132.7 | 144               | 13      | 11.6             | 4       |
| 1300-165            | 165  | 170   |                   | 4.15              |                   | 7.5      | 2.5               | 4     |                   | 174.5 |                   | 137.7 | 144               | 13      | 11.8             | 4       |
| 1300-170            | 170  | 175   |                   | 4.15              |                   | 7.5      | 2.5               | 4     |                   | 179.5 |                   | 141.6 | 148               | 13.5    | 12.2             | 4       |
| 1300-175            | 175  | 180   |                   | (+0.72<br>(-)0.00 |                   | 4.15     | (+0.18<br>(-)0.00 | 7.5   |                   | 2.5   |                   | 4     | (+0.00<br>(-)0.10 | 184.5   | (+1.7<br>(-)0.72 | 146.6   |
| 1300-180            | 180  | 185   | 4.15              |                   | 7.5               | 2.5      |                   | 4     | 189.5             | 150.2 | 156               | 14.2  |                   | 13.2    |                  | 4       |
| 1300-185            | 185  | 190   | 4.15              |                   | 7.5               | 2.5      |                   | 4     | 194.5             | 155.2 | 161               | 14.2  |                   | 13.7    |                  | 4       |
| 1300-190            | 190  | 195   | 4.15              |                   | 7.5               | 2.5      |                   | 4     | 199.5             | 160.2 | 166               | 14.2  |                   | 13.8    |                  | 4       |
| 1300-195            | 195  | 200   | 4.15              |                   | 7.5               | 2.5      |                   | 4     | 204.5             | 165.2 | 171               | 14.2  |                   | 13.8    |                  | 4       |
| 1300-200            | 200  | 205   | 4.15              |                   | 7.5               | 2.5      |                   | 4     | 209.5             | 170.2 | 176               | 14.2  |                   | 14      |                  | 4       |

# Circlips - External

All dimensions in mm



| Circlips - External |         |            |                     |     |      |          |      |             |                    |      |                    |      |      |         |     |         |
|---------------------|---------|------------|---------------------|-----|------|----------|------|-------------|--------------------|------|--------------------|------|------|---------|-----|---------|
| SIZE CODE           | SHAFT S | GROOVE (G) |                     |     |      |          |      | CIRCLIP (F) |                    |      |                    |      |      |         |     |         |
|                     |         | G          | Tol.                | W   | Tol. | n (min.) | d~   | t           | Tol.               | D    | Tol.               | C    | C1   | L (max) | b~  | h (min) |
| 1400-3              | 3       | 2.8        | (+0.00<br>-0.04)    | 0.5 |      | 0.3      | 0.1  | 0.4         |                    | 2.7  |                    | 7    | 6.6  | 1.9     | 0.8 | 1       |
| 1400-4              | 4       | 3.8        | (+)0.00<br>(-)0.048 | 0.5 |      | 0.3      | 0.1  | 0.4         | (+)0.00<br>(-)0.05 | 3.7  | (+)0.04<br>(-)0.15 | 8.6  | 8.2  | 2.2     | 0.9 | 1       |
| 1400-5              | 5       | 4.8        |                     | 0.7 |      | 0.3      | 0.1  | 0.6         |                    | 4.7  |                    | 10.3 | 9.8  | 2.5     | 1.1 | 1       |
| 1400-6              | 6       | 5.7        | (+)0.00<br>(-)0.06  | 0.8 |      | 0.5      | 0.15 | 0.7         |                    | 5.6  |                    | 11.7 | 11.1 | 2.7     | 1.3 | 1.2     |
| 1400-7              | 7       | 6.7        |                     | 0.9 |      | 0.5      | 0.15 | 0.8         |                    | 6.5  |                    | 13.5 | 12.9 | 3.1     | 1.4 | 1.2     |
| 1400-8              | 8       | 7.6        | (+)0.00<br>(-)0.06  | 0.9 |      | 0.6      | 0.2  | 0.8         |                    | 7.4  | (+)0.06<br>(-)0.18 | 14.7 | 14   | 3.2     | 1.5 | 1.2     |
| 1400-9              | 9       | 8.6        |                     | 1.1 |      | 0.6      | 0.2  | 1           |                    | 8.4  |                    | 16   | 15.2 | 3.3     | 1.7 | 1.2     |
| 1400-10             | 10      | 9.6        | (+)0.00<br>(-)0.11  | 1.1 |      | 0.6      | 0.2  | 1           |                    | 9.3  |                    | 17   | 16.2 | 3.3     | 1.8 | 1.5     |
| 1400-11             | 11      | 10.5       |                     | 1.1 |      | 0.8      | 0.25 | 1           |                    | 10.2 |                    | 18   | 17.1 | 3.3     | 1.8 | 1.5     |
| 1400-12             | 12      | 11.5       | (+)0.00<br>(-)0.11  | 1.1 |      | 0.8      | 0.25 | 1           |                    | 11   |                    | 19   | 18.1 | 3.3     | 1.8 | 1.7     |
| 1400-13             | 13      | 12.4       |                     | 1.1 |      | 0.9      | 0.3  | 1           |                    | 11.9 |                    | 20.2 | 19.2 | 3.4     | 2   | 1.7     |
| 1400-14             | 14      | 13.4       | (+)0.00<br>(-)0.11  | 1.1 |      | 0.9      | 0.3  | 1           |                    | 12.9 | (+)0.10<br>(-)0.36 | 21.4 | 20.4 | 3.5     | 2.1 | 1.7     |
| 1400-15             | 15      | 14.3       |                     | 1.1 |      | 1.1      | 0.35 | 1           |                    | 13.8 |                    | 22.5 | 21.5 | 3.6     | 2.2 | 1.7     |
| 1400-16             | 16      | 15.2       | (+)0.00<br>(-)0.13  | 1.1 |      | 1.2      | 0.4  | 1           |                    | 14.7 |                    | 23.8 | 22.6 | 3.7     | 2.2 | 1.7     |
| 1400-17             | 17      | 16.2       |                     | 1.1 |      | 1.2      | 0.4  | 1           |                    | 15.7 |                    | 25   | 23.8 | 3.8     | 2.3 | 1.7     |
| 1400-18             | 18      | 17         | (+)0.00<br>(-)0.13  | 1.3 |      | 1.5      | 0.5  | 1.2         |                    | 16.5 |                    | 26.2 | 24.8 | 3.9     | 2.4 | 2       |
| 1400-19             | 19      | 18         |                     | 1.3 |      | 1.5      | 0.5  | 1.2         |                    | 17.5 |                    | 27.2 | 25.8 | 3.9     | 2.5 | 2       |
| 1400-20             | 20      | 19         | (+)0.00<br>(-)0.13  | 1.3 |      | 1.5      | 0.5  | 1.2         |                    | 18.5 |                    | 28.4 | 27   | 4       | 2.6 | 2       |
| 1400-21             | 21      | 20         |                     | 1.3 |      | 1.5      | 0.5  | 1.2         |                    | 19.5 |                    | 29.6 | 28.2 | 4.1     | 2.7 | 2       |
| 1400-22             | 22      | 21         | (+)0.00<br>(-)0.21  | 1.3 |      | 1.5      | 0.5  | 1.2         |                    | 20.5 | (+)0.13<br>(-)0.42 | 30.8 | 29.4 | 4.2     | 2.8 | 2       |
| 1400-23             | 23      | 22         |                     | 1.3 |      | 1.5      | 0.5  | 1.2         |                    | 21.5 |                    | 32   | 30.6 | 4.3     | 2.9 | 2       |
| 1400-24             | 24      | 22.9       | (+)0.00<br>(-)0.21  | 1.3 |      | 1.7      | 0.55 | 1.2         |                    | 22.2 |                    | 33.2 | 31.7 | 4.4     | 3   | 2       |
| 1400-25             | 25      | 23.9       |                     | 1.3 |      | 1.7      | 0.55 | 1.2         |                    | 23.2 |                    | 34.2 | 32.7 | 4.4     | 3   | 2       |
| 1400-26             | 26      | 24.9       | (+)0.00<br>(-)0.21  | 1.3 |      | 1.7      | 0.55 | 1.2         |                    | 24.2 | (+)0.21<br>(-)0.42 | 35.5 | 33.9 | 4.5     | 3.1 | 2       |
| 1400-27             | 27      | 25.6       |                     | 1.3 |      | 2.1      | 0.7  | 1.2         |                    | 24.9 |                    | 36.7 | 34.8 | 4.6     | 3.1 | 2       |
| 1400-28             | 28      | 26.6       |                     | 1.6 |      | 2.1      | 0.7  | 1.5         |                    | 25.9 |                    | 37.9 | 36   | 4.7     | 3.2 | 2       |

| Circlips - External |       |      |                  |      |      |          |      |             |                  |      |                  |      |      |         |     |         |
|---------------------|-------|------|------------------|------|------|----------|------|-------------|------------------|------|------------------|------|------|---------|-----|---------|
| SIZE CODE           | SHAFT |      | GROOVE (G)       |      |      |          |      | CIRCLIP (F) |                  |      |                  |      |      |         |     |         |
|                     | S     | G    | Tol.             | W    | Tol. | n (min.) | d~   | t           | Tol.             | D    | Tol.             | C    | C1   | L (max) | b~  | h (min) |
| 1400-29             | 29    | 27.6 | (+0.00<br>-0.21) | 1.6  |      | 2.1      | 0.7  | 1.5         |                  | 26.9 | (+0.21<br>-0.42) | 39.1 | 37.2 | 4.8     | 3.4 | 2       |
| 1400-30             | 30    | 28.6 |                  | 1.6  |      | 2.1      | 0.7  | 1.5         |                  | 27.9 |                  | 40.5 | 38.6 | 5       | 3.5 | 2       |
| 1400-31             | 31    | 29.3 |                  | 1.6  |      | 2.6      | 0.85 | 1.5         |                  | 28.6 |                  | 41.7 | 40.9 | 5.1     | 3.5 | 2.5     |
| 1400-32             | 32    | 30.3 | (+0.00<br>-0.25) | 1.6  |      | 2.6      | 0.85 | 1.5         | (+0.00<br>-0.06) | 29.6 | (+0.25<br>-0.5)  | 43   | 40.7 | 5.2     | 3.6 | 2.5     |
| 1400-33             | 33    | 31.3 |                  | 1.6  |      | 2.6      | 0.85 | 1.5         |                  | 30.5 |                  | 44   | 41.7 | 5.2     | 3.7 | 2.5     |
| 1400-34             | 34    | 32.3 |                  | 1.6  |      | 2.6      | 0.85 | 1.5         |                  | 31.5 |                  | 45.4 | 43.1 | 5.4     | 3.8 | 2.5     |
| 1400-35             | 35    | 33   |                  | 1.6  |      | 3        | 1    | 1.5         |                  | 32.2 |                  | 46.8 | 44.2 | 5.6     | 3.9 | 2.5     |
| 1400-36             | 36    | 34   |                  | 1.85 |      | 3        | 1    | 1.75        |                  | 33.2 |                  | 47.8 | 45.2 | 5.6     | 4   | 2.5     |
| 1400-37             | 37    | 35   |                  | 1.85 |      | 3        | 1    | 1.75        |                  | 34.2 |                  | 49   | 47   | 5.7     | 4.1 | 2.5     |
| 1400-38             | 38    | 36   |                  | 1.85 |      | 3        | 1    | 1.75        |                  | 35.2 |                  | 50.2 | 47.6 | 5.8     | 4.2 | 2.5     |
| 1400-39             | 39    | 37   |                  | 1.85 |      | 3        | 1    | 1.75        |                  | 36   |                  | 51.4 | 48.5 | 5.9     | 4.3 | 2.5     |
| 1400-40             | 40    | 37.5 |                  | 1.85 |      | 3.8      | 1.25 | 1.75        |                  | 36.5 |                  | 52.6 | 49.5 | 6       | 4.4 | 2.5     |
| 1400-41             | 41    | 38.5 |                  | 1.85 |      | 3.8      | 1.25 | 1.75        |                  | 37.5 |                  | 54   | 51.5 | 6.2     | 4.5 | 2.5     |
| 1400-42             | 42    | 39.5 | 1.85             | 3.8  | 1.25 | 1.75     | 38.5 | 55.7        | 52.5             | 6.5  | 4.5              | 2.5  |      |         |     |         |
| 1400-43             | 43    | 40.5 | 1.85             | 3.8  | 1.25 | 1.75     | 39.5 | 56.8        | 53.5             | 6    | 5.3              | 2.5  |      |         |     |         |
| 1400-44             | 44    | 41.5 | 1.85             | 3.8  | 1.25 | 1.75     | 40.5 | 57.9        | 55.4             | 6.6  | 4.6              | 2.5  |      |         |     |         |
| 1400-45             | 45    | 42.5 | 1.85             | 3.8  | 1.25 | 1.75     | 41.5 | 59.1        | 55.9             | 6.7  | 4.7              | 2.5  |      |         |     |         |
| 1400-46             | 46    | 43.5 | 1.85             | 3.8  | 1.25 | 1.75     | 42.5 | 60.1        | 56.9             | 6.7  | 4.8              | 2.5  |      |         |     |         |
| 1400-47             | 47    | 44.5 | 1.85             | 3.8  | 1.25 | 1.75     | 43.5 | 61.3        | 58.1             | 6.8  | 4.9              | 2.5  |      |         |     |         |
| 1400-48             | 48    | 45.5 | 1.85             | 3.8  | 1.25 | 1.75     | 44.5 | 62.5        | 59.3             | 6.9  | 5                | 2.5  |      |         |     |         |
| 1400-50             | 50    | 47   | 2.15             | 4.5  | 1.5  | 2        | 45.8 | 64.5        | 60.8             | 6.9  | 5.1              | 2.5  |      |         |     |         |
| 1400-51             | 51    | 48   | 2.15             | 4.5  | 1.5  | 2        | 46.8 | 65.6        | 61.9             | 6.9  | 5                | 2.5  |      |         |     |         |
| 1400-52             | 52    | 49   | 2.15             | 4.5  | 1.5  | 2        | 47.8 | 66.7        | 63               | 7    | 5.2              | 2.5  |      |         |     |         |
| 1400-53             | 53    | 50   | 2.15             | 4.5  | 1.5  | 2        | 48.8 | 68.8        | 64.1             | 7    | 6.3              | 2.5  |      |         |     |         |
| 1400-54             | 54    | 51   | 2.15             | 4.5  | 1.5  | 2        | 49.8 | 69          | 65.2             | 7.1  | 5.3              | 2.5  |      |         |     |         |
| 1400-55             | 55    | 52   | 2.15             | 4.5  | 1.5  | 2        | 50.8 | 70.2        | 66.4             | 7.2  | 5.4              | 2.5  |      |         |     |         |
| 1400-56             | 56    | 53   | 2.15             | 4.5  | 1.5  | 2        | 51.8 | 71.6        | 67.6             | 7.3  | 5.5              | 2.5  |      |         |     |         |
| 1400-57             | 57    | 54   | 2.15             | 4.5  | 1.5  | 2        | 52.8 | 72.3        | 69.3             | 7.3  | 5.5              | 2.5  |      |         |     |         |
| 1400-58             | 58    | 55   | 2.15             | 4.5  | 1.5  | 2        | 53.8 | 73.6        | 69.6             | 7.3  | 5.6              | 2.5  |      |         |     |         |
| 1400-60             | 60    | 57   | 2.15             | 4.5  | 1.5  | 2        | 55.8 | 75.6        | 71.8             | 7.4  | 5.8              | 2.5  |      |         |     |         |
| 1400-61             | 61    | 58   | 2.15             | 4.5  | 1.5  | 2        | 56.8 | 76.7        | 72.9             | 7.4  | 5.9              | 2.5  |      |         |     |         |
| 1400-62             | 62    | 59   | 2.15             | 4.5  | 1.5  | 2        | 57.8 | 77.8        | 74               | 7.5  | 6                | 2.5  |      |         |     |         |
| 1400-63             | 63    | 60   | 2.15             | 4.5  | 1.5  | 2        | 58.8 | 79          | 75.2             | 7.6  | 6.2              | 2.5  |      |         |     |         |
| 1400-64             | 64    | 61   | 2.15             | 4.5  | 1.5  | 2        | 59.8 | 80.2        | 76.4             | 7.8  | 7.4              | 2.5  |      |         |     |         |
| 1400-65             | 65    | 62   | 2.65             | 4.5  | 1.5  | 2.5      | 60.8 | 81.4        | 77.6             | 7.8  | 6.3              | 3    |      |         |     |         |
| 1400-67             | 67    | 64   | 2.65             | 4.5  | 1.5  | 2.5      | 62.5 | 83.6        | 79.8             | 7.9  | 6.4              | 3    |      |         |     |         |
| 1400-68             | 68    | 65   | 2.65             | 4.5  | 1.5  | 2.5      | 63.5 | 84.4        | 81               | 8    | 6.5              | 3    |      |         |     |         |
| 1400-70             | 70    | 67   | 2.65             | 4.5  | 1.5  | 2.5      | 65.5 | 87          | 83.2             | 8.1  | 6.6              | 3    |      |         |     |         |
| 1400-72             | 72    | 69   | 2.65             | 4.5  | 1.5  | 2.5      | 67.5 | 89.2        | 85.4             | 8.2  | 6.8              | 3    |      |         |     |         |

# Circlips - External



"Australia's Only Genuine Wholesaler"

Finer Power Transmissions P/L | www.finerpt.com

| Circlips - External |       |      |                  |      |                  |          |      |     |                  |       |                  |       |       |         |      |         |
|---------------------|-------|------|------------------|------|------------------|----------|------|-----|------------------|-------|------------------|-------|-------|---------|------|---------|
| SIZE CODE           | SHAFT |      | GROOVE (G)       |      |                  |          |      |     | CIRCLIP (F)      |       |                  |       |       |         |      |         |
|                     | S     | G    | Tol.             | W    | Tol.             | n (min.) | d~   | t   | Tol.             | D     | Tol.             | C     | C1    | L (max) | b~   | h (min) |
| 1400-75             | 75    | 72   |                  | 2.65 |                  | 4.5      | 1.5  | 2.5 |                  | 70.5  |                  | 92.7  | 88.8  | 8.4     | 7    | 3       |
| 1400-77             | 77    | 74   |                  | 2.65 |                  | 4.5      | 1.5  | 2.5 |                  | 72.5  |                  | 94.9  | 91    | 8.5     | 7.2  | 3       |
| 1400-78             | 78    | 75   | (+0.00<br>-0.30) | 2.65 | (+0.14<br>-0.00) | 4.5      | 1.5  | 2.5 | (+0.00<br>-0.07) | 73.5  | (+0.46<br>-1.10) | 96.1  | 92.2  | 8.6     | 7.3  | 3       |
| 1400-80             | 80    | 76.5 |                  | 2.65 |                  | 5.3      | 1.75 | 2.5 |                  | 74.5  |                  | 98.1  | 93.7  | 8.6     | 7.4  | 3       |
| 1400-82             | 82    | 78.5 |                  | 2.65 |                  | 5.3      | 1.75 | 2.5 |                  | 76.5  |                  | 100.3 | 95.9  | 8.7     | 7.6  | 3       |
| 1400-85             | 85    | 81.5 |                  | 3.15 |                  | 5.3      | 1.75 | 3   |                  | 79.5  |                  | 103.3 | 98.9  | 8.7     | 7.8  | 3.5     |
| 1400-87             | 87    | 83.5 |                  | 3.15 |                  | 5.3      | 1.75 | 3   |                  | 81.5  |                  | 105.5 | 100.9 | 8.8     | 7.9  | 3.5     |
| 1400-88             | 88    | 84.5 |                  | 3.15 |                  | 5.3      | 1.75 | 3   |                  | 82.5  |                  | 106.5 | 102   | 8.8     | 8    | 3.5     |
| 1400-90             | 90    | 86.5 |                  | 3.15 |                  | 5.3      | 1.75 | 3   |                  | 84.5  |                  | 108.5 | 104   | 8.8     | 8.2  | 3.5     |
| 1400-92             | 92    | 88.5 | (+0.00<br>-0.35) | 3.15 |                  | 5.3      | 1.75 | 3   | (+0.00<br>-0.08) | 86.5  |                  | 110.9 | 107.4 | 9       | 8.4  | 3.5     |
| 1400-95             | 95    | 91.5 |                  | 3.15 |                  | 5.3      | 1.75 | 3   |                  | 89.5  |                  | 114.8 | 111   | 9.4     | 8.6  | 3.5     |
| 1400-97             | 97    | 93.5 |                  | 3.15 |                  | 5.3      | 1.75 | 3   |                  | 91.5  |                  | 116.7 | 113.2 | 9.4     | 8.8  | 3.5     |
| 1400-98             | 98    | 94.5 |                  | 3.15 |                  | 5.3      | 1.75 | 3   |                  | 91.5  |                  | 118.6 | 114   | 9.4     | 8.8  | 3.5     |
| 1400-100            | 100   | 96.5 |                  | 3.15 |                  | 5.3      | 1.75 | 3   |                  | 94.5  | (+0.54<br>-1.30) | 120.2 | 116   | 9.6     | 9    | 3.5     |
| 1400-102            | 102   | 98   |                  | 4.15 |                  | 6        | 2    | 4   |                  | 95    |                  | 122.4 | 118   | 9.7     | 9.2  | 3.5     |
| 1400-105            | 105   | 101  |                  | 4.15 |                  | 6        | 2    | 4   |                  | 98    |                  | 126.2 | 122   | 9.9     | 9.3  | 3.5     |
| 1400-110            | 110   | 106  |                  | 4.15 |                  | 6        | 2    | 4   |                  | 103   |                  | 131.2 | 127   | 10.1    | 9.6  | 3.5     |
| 1400-112            | 112   | 108  | (+0.00<br>-0.54) | 4.15 |                  | 6        | 2    | 4   |                  | 105   |                  | 133.6 | 129.6 | 10.3    | 9.7  | 3.5     |
| 1400-115            | 115   | 111  |                  | 4.15 |                  | 6        | 2    | 4   |                  | 108   |                  | 137.3 | 133   | 10.6    | 9.8  | 3.5     |
| 1400-120            | 120   | 116  |                  | 4.15 |                  | 6        | 2    | 4   |                  | 113   |                  | 143.1 | 138   | 11      | 10.2 | 3.5     |
| 1400-122            | 122   | 118  |                  | 4.15 |                  | 6        | 2    | 4   |                  | 115   |                  | 145.5 | 141.5 | 11.2    | 10.3 | 4       |
| 1400-125            | 125   | 121  |                  | 4.15 | (+0.18<br>-0.00) | 6        | 2    | 4   |                  | 118   |                  | 149   | 144   | 11.4    | 10.4 | 4       |
| 1400-127            | 127   | 123  |                  | 4.15 |                  | 6        | 2    | 4   |                  | 120   |                  | 150.9 | 146.8 | 11.4    | 10.5 | 4       |
| 1400-128            | 128   | 124  |                  | 4.15 |                  | 6        | 2    | 4   |                  | 120   |                  | 151.9 | 147.9 | 11.4    | 10.5 | 4       |
| 1400-130            | 130   | 126  |                  | 4.15 |                  | 6        | 2    | 4   |                  | 123   |                  | 154.4 | 150   | 11.6    | 10.7 | 4       |
| 1400-135            | 135   | 131  |                  | 4.15 |                  | 6        | 2    | 4   |                  | 128   |                  | 159.8 | 155   | 11.8    | 11   | 4       |
| 1400-140            | 140   | 136  |                  | 4.15 |                  | 6        | 2    | 4   | (+0.00<br>-0.1)  | 133   |                  | 165.2 | 160   | 12      | 11.2 | 4       |
| 1400-145            | 145   | 141  |                  | 4.15 |                  | 6        | 2    | 4   |                  | 138   |                  | 170.6 | 166   | 12.2    | 11.5 | 4       |
| 1400-150            | 150   | 145  | (+0.00<br>-0.63) | 4.15 |                  | 7.5      | 2.5  | 4   |                  | 142   | (+0.63<br>-1.5)  | 177.3 | 171   | 13      | 11.8 | 4       |
| 1400-155            | 155   | 150  |                  | 4.15 |                  | 7.5      | 2.5  | 4   |                  | 146   |                  | 182.3 | 176   | 13      | 12   | 4       |
| 1400-160            | 160   | 155  |                  | 4.15 |                  | 7.5      | 2.5  | 4   |                  | 151   |                  | 188   | 182   | 13.3    | 12.2 | 4       |
| 1400-165            | 165   | 160  |                  | 4.15 |                  | 7.5      | 2.5  | 4   |                  | 155.5 |                  | 193.4 | 187   | 13.5    | 12.5 | 4       |
| 1400-170            | 170   | 165  |                  | 4.15 |                  | 7.5      | 2.5  | 4   |                  | 160.5 |                  | 198.4 | 192   | 13.5    | 12.9 | 4       |
| 1400-175            | 175   | 170  |                  | 4.15 |                  | 7.5      | 2.5  | 4   |                  | 165.5 |                  | 203.4 | 197   | 13.5    | 12.9 | 4       |
| 1400-180            | 180   | 175  |                  | 4.15 |                  | 7.5      | 2.5  | 4   |                  | 170.5 |                  | 210   | 204   | 14.2    | 13.5 | 4       |
| 1400-185            | 185   | 180  |                  | 4.15 |                  | 7.5      | 2.5  | 4   |                  | 175.5 |                  | 215.2 | 209   | 14.2    | 13.5 | 4       |
| 1400-190            | 190   | 185  |                  | 4.15 |                  | 7.5      | 2.5  | 4   |                  | 180.5 | (+0.72<br>-1.7)  | 220   | 214   | 14.2    | 14   | 4       |
| 1400-195            | 195   | 190  | (+0.00<br>-0.72) | 4.15 |                  | 7.5      | 2.5  | 4   |                  | 185.5 |                  | 225   | 219   | 14.2    | 14   | 4       |
| 1400-200            | 200   | 195  |                  | 4.15 |                  | 7.5      | 2.5  | 4   |                  | 190.5 |                  | 230   | 224   | 14.2    | 14   | 4       |

Assortment