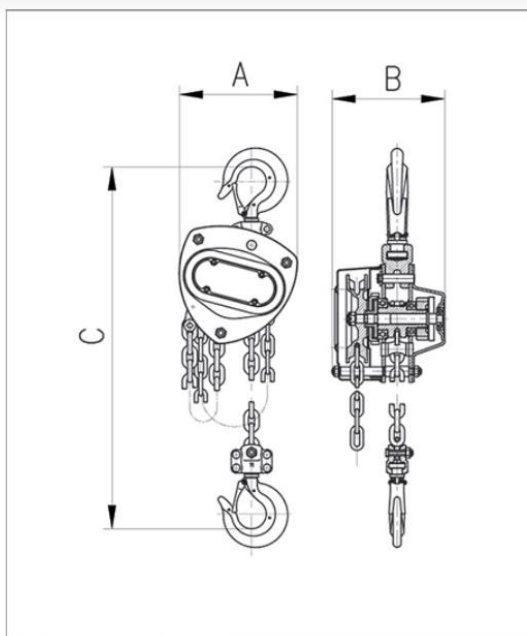
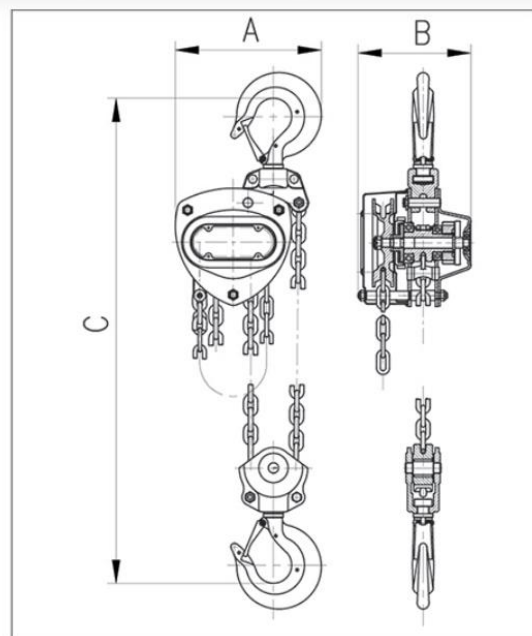


| WLL (T) | W4 CHAIN BLOCK | | W5 CHAIN BLOCK | | TEST LOAD (T) | PULLING EFFORT (N) | DIMENSIONS (mm) | | | |
|---------|----------------|--------|----------------|--------|---------------|--------------------|-----------------|-----|---------|----|
| | 3M | 6M | 3M | 6M | | | A | B | C (Min) | D |
| 0.25 | 110002 | - | - | - | 0.375 | 187 | 120 | 115 | 280 | 21 |
| 0.5 | 110005 | 110505 | - | - | 0.75 | 224 | 148 | 133 | 346 | 28 |
| 1 | 110010 | 110510 | 112010 | 112110 | 1.5 | 281 | 173 | 150 | 376 | 32 |
| 1.5 | 110015 | 110515 | 112015 | 112115 | 2.25 | 290 | 196 | 173 | 442 | 38 |
| 2 | 110020 | 110520 | 112020 | 112120 | 3 | 328 | 211 | 176 | 470 | 40 |
| 3 | 110025 | 110525 | 112025 | 112125 | 4.5 | 307 | 230 | 174 | 560 | 38 |
| 5 | 110030 | 110530 | - | - | 7.5 | 332 | 279 | 201 | 688 | 50 |
| 10 | 110035 | 110535 | - | - | 12.5 | 342 | 463 | 201 | 765 | 64 |
| 15 | - | 110540 | - | - | 18.75 | 400 | 730 | 189 | 1090 | 85 |
| 20 | 110045 | 110542 | - | - | 25 | 435 | 860 | 169 | 1170 | 85 |

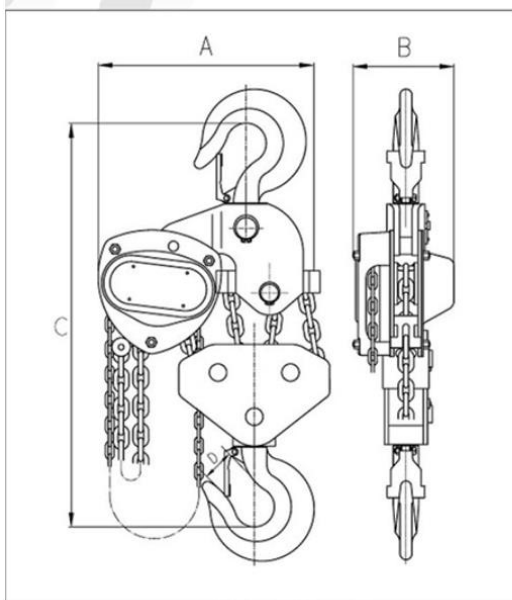
| WLL (T) | W4 CHAIN BLOCK | | W5 CHAIN BLOCK | | UNIT Wt. (kg) | STD. LIFT (M) | LOAD CHAIN | | NO. OF CHAIN FALLS | EXTRA WEIGHT/M EXTRA LIFT (kg) |
|---------|----------------|--------|----------------|--------|---------------|---------------|------------|----------|--------------------|--------------------------------|
| | 3M | 6M | 3M | 6M | | | SIZE (mm) | CODE | | |
| 0.25 | 110002 | - | - | - | 7.5 | 2.5 | 4 | - | 1 | 1.5 |
| 0.5 | 110005 | 110505 | - | - | 9.3 | 2.5 | 5 | 003705SP | 1 | 1.6 |
| 1 | 110010 | 110510 | 112010 | 112110 | 12 | 2.5 | 6 | 003706SP | 1 | 1.8 |
| 1.5 | 110015 | 110515 | 112015 | 112115 | 17 | 2.5 | 7.1 | 003707SP | 1 | 2.1 |
| 2 | 110020 | 110520 | 112020 | 112120 | 19.7 | 2.5 | 8 | 003708SP | 1 | 2.4 |
| 3 | 110025 | 110525 | 112025 | 112125 | 29 | 3 | 7.1 | 003707SP | 2 | 3.1 |
| 5 | 110030 | 110530 | - | - | 42.5 | 3 | 9 | 003709SP | 2 | 4.6 |
| 10 | 110035 | 110535 | - | - | 73.6 | 3 | 10 | 003710SP | 4 | 9.8 |
| 15 | - | 110540 | - | - | 155 | 3 | 10 | 003710SP | 6 | 14.1 |
| 20 | 110045 | 110542 | - | - | 186.2 | 3 | 10 | 003710SP | 8 | 19.6 |



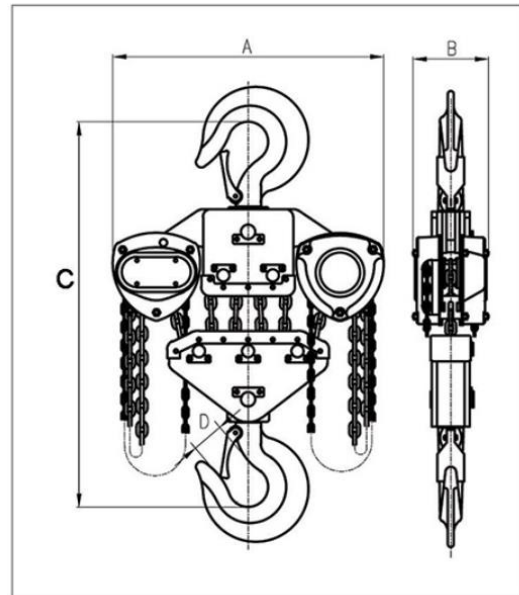
WLL: 0.25T, 0.5T, 1T, 1.5T, 2T



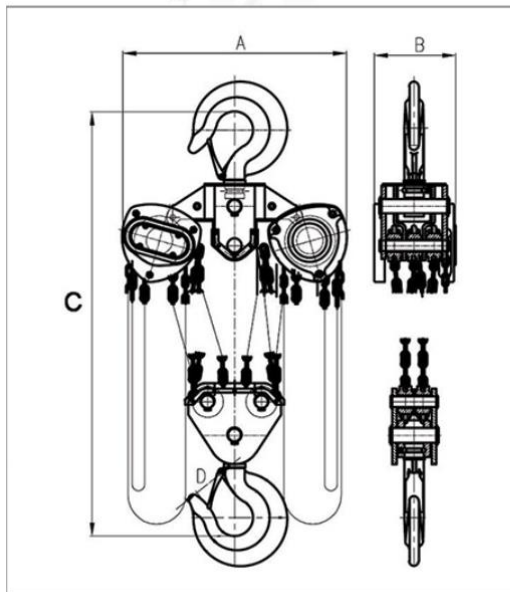
WLL: 3T, 5T



WLL: 10T



WLL: 15T



WLL: 20T

Suitable Hand Chain Sizes

003002SP HAND CHAIN SIZES

| | |
|----------------|--------|
| Inside Length | 23.6mm |
| Outside Length | 33.6mm |
| Inside Width | 7.5mm |
| Outside Width | 17.5mm |